

Wolter Multi-Nozzle Centrifugal Jet Fans

- Ventilation and smoke control for car parks

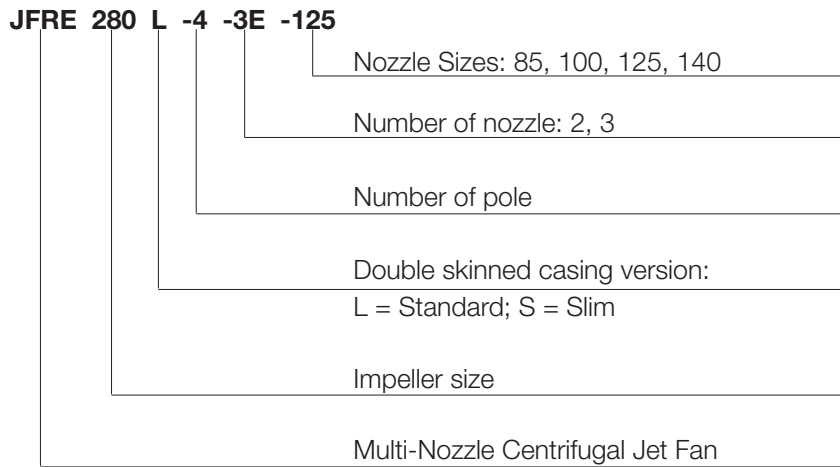


Air in Motion.
Wolter Fans.

G03-C

wolter

Fan type code



Advantages of Wolter's Special design capability:

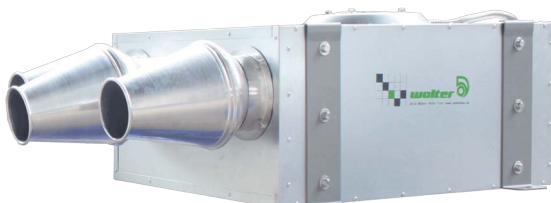
- › Nozzles can be bent to meet required air flow pattern and to minimize dead zone
- › Air discharge nozzle with various diameter can balance the air flow and to suit the site situation for effective air distribution
- › Fans can be positioned on parallel or in serial position to give a wider area coverage requirement
- › Fans with air inlet on the side (as in-line L type) or bottom (as slim S type)

Special Features such as:

- › Applicable various temperatures
 - For normal ventilation using rotor motor with 100% speed controllable
 - For smoke extraction with induction motor (300°C/1 hour or 300°C/2 hours)
 - For CO-operation stepless speed controllable with external frequency inverter
- › Double or multiple choice of nozzle
- › Attachment with flexibility for nozzle direction
- › Slim type fan allows for lower ceiling height and wide discharge
- › Comes with hanging bracket for easy installation (plug or play)
- › Free from maintenance

Able to CUSTOM design:

- › For entrances and driveways of underground car parks
- › For garages with massive and closely placed support crossbars
- › For smoke extraction of low and badly accessible areas
- › Combination as a mix with our Axial-Smoke-Extract Jet fan for better performance





JFRE-L Series



JFRE-S Series

Design specification:

- › Fan impeller of centrifugal type to match site requirement for low noise and high efficiency.
- › All impeller with galvanized sheet steel and press-fitted directly onto the rotor of external rotor motor
- › Minimum thermal and mechanical stress in the bearing (min. L10 is 40.000 hours) Electrical design - Class F, IP54.
- › Terminal Box with fuse as standard, Indicating light, Speed controller and regulator, CO, Smoke or temperature detector, as optional.
- › Nozzle at outlet is made of aluminum with 24 degree blow angle for low noise and wide discharge and constant impulse to achieve optimum air distribution profile and performance. The 85, 100, 125, 140 mm diameter multiple nozzles are precision aluminum spinning to give effective thrust.
- › Fan casing can be of single unit galvanize sheet type or composed of panel type using with extruded aluminum profile with inlet protective guard attached. All single unit type or panels casing come with 20mm glass wool effective for heat transmission co-efficient and sound attenuation. Special powder coating on request (RAL colors).
- › Depending on the model required, material thickness of scroll and panel must be at least 1.0mm thickness.



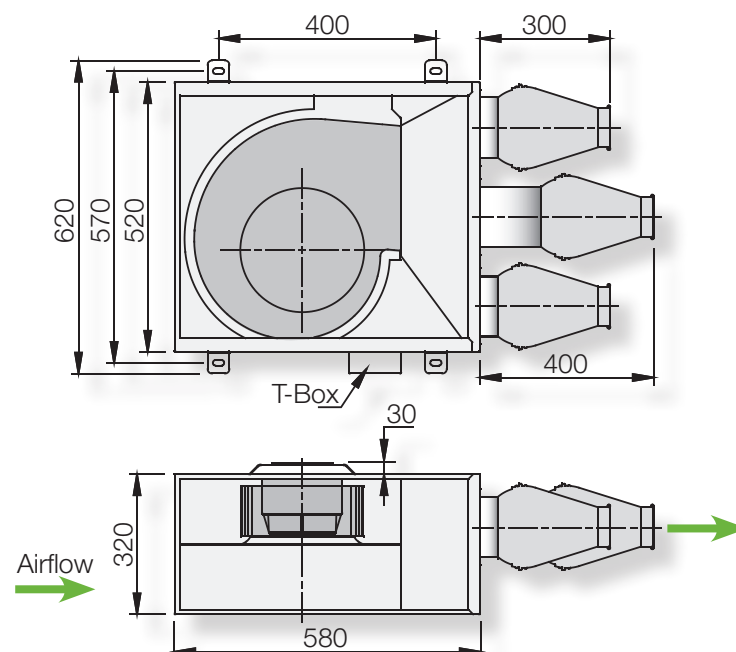
Technical Data:

Power supply: 230V/1Ph/50Hz

Model Name	Fan Volume [m ³ /s]	Fan Speed [1/min]	Rated Current [A]	Motor Power [kW]	Max. Outlet Velocity [m/s]	Sound Pressure Level at 2m [dB(A)]	Nozzle Nos x Dia. [mm]	Throw Length at 0.5 m/s [m]	Weight [kg]
JFRE 250L-4-3E	0.42	1289	4.1	0.9	25.1	56 ~ 58	3 x 85	30	37.7
	0.46	1289	4.1	0.9	22.9	57 ~ 59	3 x 100	27	37.7
	0.58	1289	4.1	0.9	18.5	61 ~ 63	3 x 125	22	37.7
	0.63	1289	4.1	0.9	18.1	63 ~ 65	3 x 140	22	37.7
JFRE 250L-4-2E	0.32	1289	4.1	0.9	24.8	53 ~ 55	2 x 100	29	37.2
	0.45	1289	4.1	0.9	22.9	57 ~ 59	2 x 125	27	37.2
	0.51	1289	4.1	0.9	19.7	59 ~ 61	2 x 140	23	37.7
JFRE 250L-6-3E	0.28	898	1.6	0.32	16.3	46 ~ 48	3 x 85	19	37.7
	0.31	898	1.6	0.32	15.0	47 ~ 49	3 x 100	18	37.7
	0.38	898	1.6	0.32	12.4	51 ~ 53	3 x 125	15	37.7
	0.42	898	1.6	0.32	10.6	52 ~ 54	3 x 140	13	37.7
JFRE 250L-6-2E	0.21	898	1.6	0.32	15.9	43 ~ 45	2 x 100	19	37.2
	0.30	898	1.6	0.32	14.1	47 ~ 49	2 x 125	17	37.2
	0.33	898	1.6	0.32	12.8	49 ~ 51	2 x 140	15	37.2

Dimension:

JFRE 250L



* We reserve the right to alter measurements without notice in case of technical improvements.



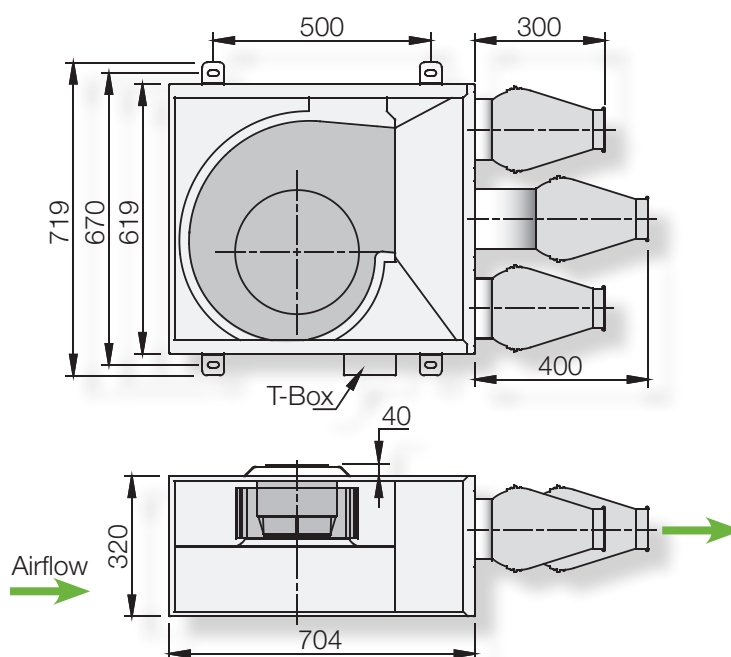
Technical Data:

Power supply: 230V/1Ph/50Hz

Model Name	Fan Volume [m ³ /s]	Fan Speed [1/min]	Rated Current [A]	Motor Power [kW]	Max. Outlet Velocity [m/s]	Sound Pressure Level at 2m [dB(A)]	Nozzle Nos x Dia. [mm]	Throw Length at 0.5 m/s [m]	Weight [kg]
JFRE 280L-4-3E	0.48	1289	4.1	0.9	28.4	58 ~ 60	3 x 85	40	39.7
	0.53	1289	4.1	0.9	26.6	58 ~ 60	3 x 100	37	39.7
	0.69	1360	7.3	1.6	22.0	62 ~ 64	3 x 125	31	45.0
	0.77	1360	7.3	1.6	20.5	66 ~ 68	3 x 140	29	45.0
JFRE 280L-4-2E	0.39	1289	4.1	0.9	29.8	55 ~ 57	2 x 100	42	39.2
	0.53	1289	4.1	0.9	25.2	60 ~ 62	2 x 125	35	39.2
	0.61	1360	7.3	1.6	24.0	62 ~ 64	2 x 140	34	44.5
JFRE 280L-6-3E	0.32	898	1.6	0.32	18.2	46 ~ 48	3 x 85	25	39.7
	0.35	898	1.6	0.32	17.0	47 ~ 49	3 x 100	24	39.7
	0.42	898	2.2	0.45	13.7	52 ~ 54	3 x 125	19	45.0
	0.49	898	2.2	0.45	12.2	55 ~ 57	3 x 140	17	45.0
JFRE 280L-6-2E	0.25	898	1.6	0.32	18.7	45 ~ 47	2 x 100	26	39.2
	0.36	898	1.6	0.32	17.0	49 ~ 51	2 x 125	24	39.2
	0.40	898	2.2	0.45	15.8	51 ~ 53	2 x 140	22	44.5

Dimension:

JFRE 280L



* We reserve the right to alter measurements without notice in case of technical improvements.

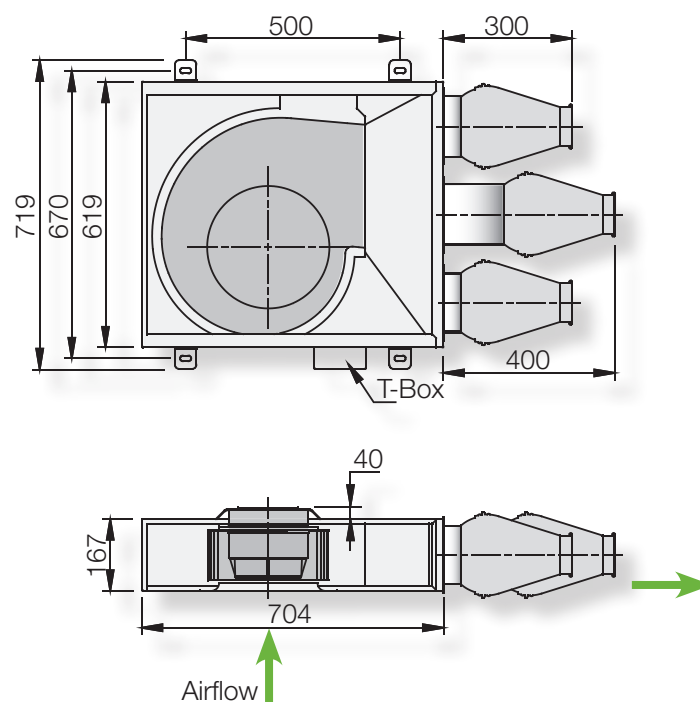
Technical Data:

Power supply: 230V/1Ph/50Hz

Model Name	Fan Volume [m ³ /s]	Fan Speed [1/min]	Rated Current [A]	Motor Power [kW]	Max. Outlet Velocity [m/s]	Sound Pressure Level at 2m [dB(A)]	Nozzle Nos x Dia. [mm]	Throw Length at 0.5 m/s [m]	Weight [kg]
JFRE 280S-4-3E	0.51	1360	7.3	1.6	29.5	62 ~ 64	3 x 85	42	36.7
	0.57	1360	7.3	1.6	26.3	64 ~ 66	3 x 100	38	36.7
	0.76	1360	7.3	1.6	21.8	69 ~ 71	3 x 125	31	42.0
	0.85	1360	7.3	1.6	23.8	69 ~ 71	3 x 140	34	42.0
JFRE 280S-4-2E	0.40	1330	4.1	0.9	29.3	55 ~ 57	2 x 100	42	36.2
	0.57	1360	7.3	1.6	25.3	61 ~ 63	2 x 125	36	41.5
	0.67	1360	7.3	1.6	23.3	63 ~ 65	2 x 140	33	41.5
JFRE 280S-6-3E	0.33	900	2.2	0.45	18.2	51 ~ 53	3 x 85	26	42.0
	0.37	900	2.2	0.45	17.8	53 ~ 55	3 x 100	26	42.0
	0.49	900	2.2	0.45	15.7	57 ~ 59	3 x 125	22	42.0
	0.55	900	2.2	0.45	14.6	58 ~ 60	3 x 140	21	42.0
JFRE 280S-6-2E	0.26	900	1.6	0.32	18.6	45 ~ 47	2 x 100	27	36.2
	0.37	900	2.2	0.45	16.0	51 ~ 53	2 x 125	23	41.5
	0.42	900	2.2	0.45	14.4	52 ~ 54	2 x 140	21	41.5

Dimension:

JFRE 280S



* We reserve the right to alter measurements without notice in case of technical improvements.



JFRE-L Series



JFRE-S Series

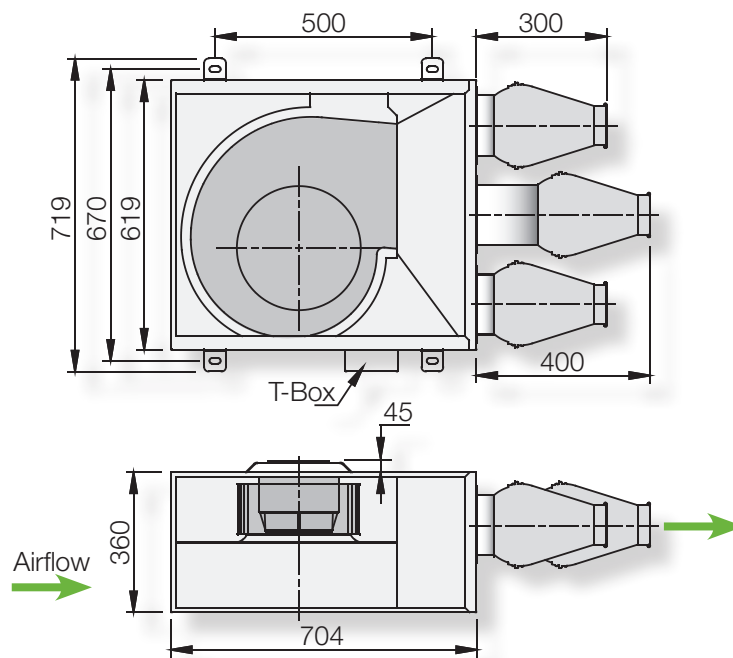
Technical Data:

Power supply: 230V/1Ph/50Hz

Model Name	Fan Volume [m ³ /s]	Fan Speed [1/min]	Rated Current [A]	Motor Power [kW]	Max. Outlet Velocity [m/s]	Sound Pressure Level at 2m [dB(A)]	Nozzle Nos x Dia. [mm]	Throw Length at 0.5 m/s [m]	Weight [kg]
JFRE 315L-6-3E	0.48	927	3.6	0.72	24.3	50 ~ 52	3 x 100	34	46.0
	0.58	927	3.6	0.72	18.7	53 ~ 55	3 x 125	26	46.0
	0.64	927	3.6	0.72	16.5	56 ~ 58	3 x 140	23	46.0
JFRE 315L-6-2E	0.47	927	3.6	0.72	22.8	51 ~ 53	2 x 125	32	45.5
	0.54	927	3.6	0.72	20.9	53 ~ 55	2 x 140	29	45.5

Dimension:

JFRE 315L



* We reserve the right to alter measurements without notice in case of technical improvements.

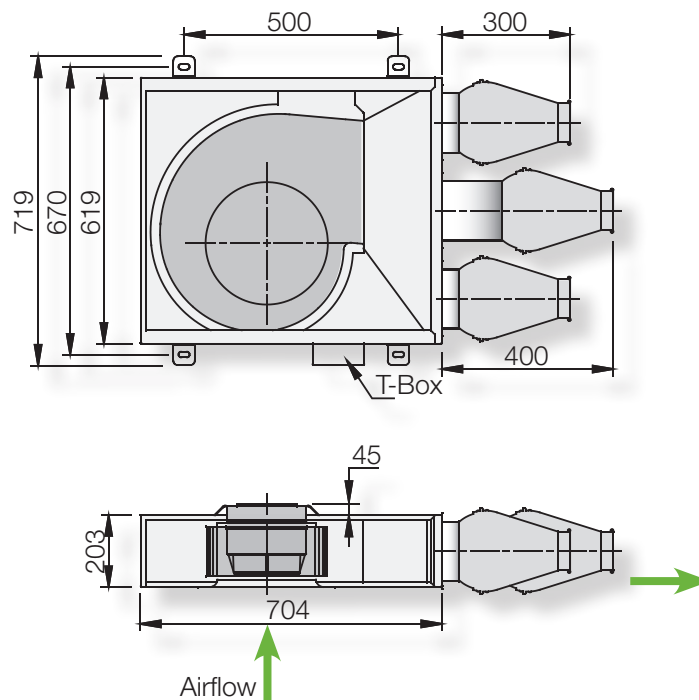
Technical Data:

Power supply: 230V/1Ph/50Hz

Model Name	Fan Volume [m ³ /s]	Fan Speed [1/min]	Rated Current [A]	Motor Power [kW]	Max. Outlet Velocity [m/s]	Sound Pressure Level at 2m [dB(A)]	Nozzle Nos x Dia. [mm]	Throw Length at 0.5 m/s [m]	Weight [kg]
JFRE 315S-6-3E	0.50	927	3.6	0.72	25.2	55 ~ 57	3 x 100	35	43.0
	0.65	927	3.6	0.72	21.1	58 ~ 60	3 x 125	30	43.0
	0.74	927	3.6	0.72	19.2	61 ~ 63	3 x 140	27	43.0
JFRE 315S-6-2E	0.46	927	3.6	0.72	19.7	52 ~ 54	2 x 125	28	42.5
	0.53	927	3.6	0.72	18.1	55 ~ 57	2 x 140	25	42.5

Dimension:

JFRE 315S



* We reserve the right to alter measurements without notice in case of technical improvements.

Sales Network

Deutschland

Wolter GmbH.
Maschinen-und Apparatebau KG.
DE-76316 Malsch
T +49 (0) 72 04 / 92 01 0
F +49 (0) 72 04 / 92 01 11
info@wolter.eu

Europe

Denmark:

L.ØLAND VENTILATION A/S
DK-2605 Brøndby
T +45 (0) 70 / 20 19 11
salg@airforce.dk

Netherlands:

DE WIT Ventilatoren BV
NL-3821 CG Amersfoort
T +31 (0) 33 / 76 00 240
info@dewitventilatoren.nl

Sweden:

Nordisk Ventilator AB
SE-142 50 Skogås
T +46 (0) 8 / 72 70 250
se@nordiskventilator.se

Switzerland:

Anson AG Zürich
CH-8055 Zürich
T +41 (0) 44 / 46 11 111
F +41 (0) 44 / 46 13 111
info@anson.ch

OZ Tech SA

CH-1122 Romanel-sur-Morges
T +41 (0) 76 / 41 11 572
info@oztech.ch

United Kingdom:

Wolter (UK) Ltd.
GB-Leicestershire LE65 1AL
T +44 (0) 15 30 / 41 24 73
info@wolteruk.com

Middle East

UAE, Saudi Arabia, Qatar, Lebanon:

Please contact Wolter head office

Wolter GmbH.

Maschinen-und Apparatebau KG.
DE-76316 Malsch
T +49 (0) 72 04 / 92 01 0
F +49 (0) 72 04 / 92 01 11
info@wolter.eu

Asia

China:

Guangdong Wolter Chemco Ventilation Ltd.
Boluo, Huizhou, Guangdong

Dongguan Wolter Chemco Ventilation Ltd.

Shipai, Dongguan, Guangdong
T +86 (0) 769 / 8655 7298
F +86 (0) 769 / 8655 7278
info@wolter.com.hk

Taizhou Wolter Ventilation Co. Ltd.

Hengjie, Luqiao District,
Taizhou, Zhejiang
T +86 (0) 576 / 26 22 666 (26 52 888)
F +86 (0) 576 / 26 56 830

China - Hong Kong, Macau:

Wolter Asia Ltd
Kowloon, Hong Kong
T +852 (0) 2456 0198
F +852 (0) 2456 0290
info@wolter.com.hk

China - Taiwan:

Waxlink International Co., Ltd.
8F-2 No.218 Roosevelt Rd.,
Sec.6, Taipei, Taiwan
T +886 (0) 2 / 8932 1196
F +886 (0) 2 / 8932 1197
waxlink@mail.waxlinktw.com

India:

Wolter Ventilators India Pvt. Ltd.
867 D, Block-A, Sushant Lok, Phase-I,
Gurgaon - 122009 (Haryana)
T +91 (0) 124 2577797, 4261001-3
sales@wolterindia.in

Korea:

Kaceco-Wolter
14-1, Dang-dong, Gunpo-shi,
Gyeonggi-do
T +(82) 0 31 / 4773 104
F +(82) 0 31 / 4773 132
wolter@kaceco.com
info@kaceco.com

Malaysia:

Vibrantech (M) Sdn Bhd.
47200 Petaling Jaya Selangor
T +603 (0) 7847 3500
F +603 (0) 7847 3380
sales@vibrantech-sb.com

Singapore:

Wolter Pte. Ltd.
SG-569738 Singapore
T +65 (0) 63 / 52 95 48
F +65 (0) 63 / 52 95 47
info@wolterfans.com.sg

Thailand:

Wolter Ventilation Co., Ltd.
Thamai Kratumban Samutsakorn
741 10 Thailand
T +66 (0) 84 555 2936
kongsakol@wolterfan.com

Australia

The Sydney Fan Company.
NSW 2147, Sydney, Australia
T +61 (0) 2 / 9624 4000
F +61 (0) 2 / 9624 4100
sales@thesydneyfancompany.com

Wolter GmbH Maschinen-und Apparatebau KG

Am Wasen 11
DE-76316 Malsch / Germany
T +49 (0) 72 04 / 92 01 0
F +49 (0) 72 04 / 92 01 11
www.wolter.eu
info@wolter.eu

