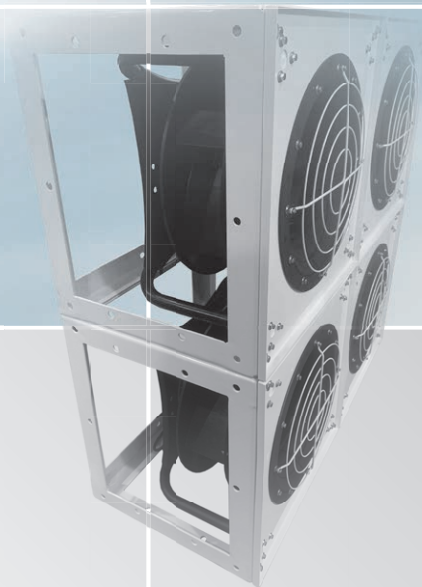




Wolter High Efficiency Plug Fans

- PFE Series
- EC Motor
- Wall Fan



Air in Motion.
Wolter Fans.

P13.EC

wolter 



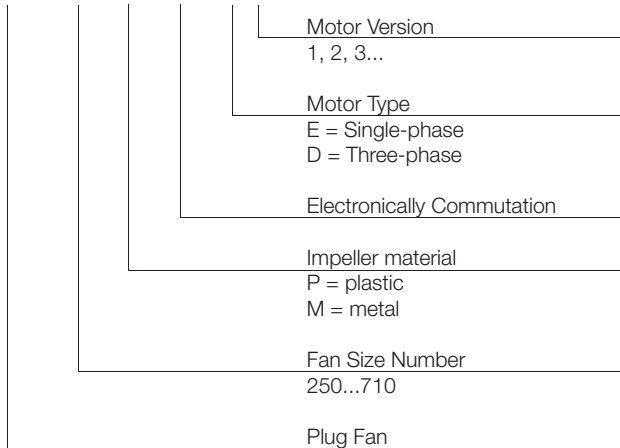
High Efficiency Plug Fan

PFE with EC Motor



Fan type code

PFE 400 P EC D 1



Impeller

The centrifugal plug fan impellers are made of sheet metal or plastic material with backward curve blades. The impeller is aerodynamically designed for high efficiency and low power consumption. The maximum tip speed of the impeller is 70m/s. The impellers are optimized for stable performance and low noise and balanced according to G2.5 to ISO 21940-11:2016(E).

Inlet cone

The inlet cone is made of sheet metal with powder coated or plastic material. The inlet cone allows a uniform and stable airflow into the impeller assuring cataloged performance.

Overlap

The overlap distance is determined by empirical and airflow tests which take into account the aerodynamic characteristics of the impeller.

Motor

The EC (Electronically Commutation) Motors with die cast aluminium enclosure have maintenance free ball bearings & are capable of continuous operation (S1). The EC fan motor is capable of variable speed control. The motor speed can be pre-set by the user to operate at a certain maximum fan speed and the fan speed can also be adjusted automatically according to the cooling demand of the room to provide energy savings during period of partial load. A minimum fan speed can be preset by the user to avoid lower fan speeds than the requirement which is required in order to maintain sufficient airflow in the room. The fan motor is variable speed and totally enclosed fan cooled type with Class F insulation, IP54 standard. Motor assembly conforms to standards: EN 60034-1, EN 60335-1& EN 62233.

Fan performance curves

The performance curves for these fan types have been established as per installation type A (free inlet, free outlet) according to AMCA 210 and show the static pressure rise ΔP_{st} in reference to the volume air flow. The given velocity c refers to the outlet area of the impeller.

Sound levels

The ascertaining of the sound level follows the reverberant room method according to AMCA 300.

The data on the fan curve show the A-weighted sound power level L_{WA6} at the outlet side, unducted, in decibel figures.

The A-weighted sound power level at the inlet side L_{WA5} according to DIN 45 635, part 38, is obtained as follows:

$$L_{WA5} = L_{WA6} - 3 \text{ dB(A)}$$

The octave sound power level is important for the choice of suitable sound attenuators. It is obtained as follows.

$$L_{WA0kt} = L_{WA6} + L_{WArel}$$

The relative octave sound power level L_{WArel} at octave medium frequency can be taken from the tables at respective fan. These levels has been established at $0.5 \times V_{max}$.

The A-weighted sound pressure level L_{TPA} at a distance of 1 metre is obtained approximately by deducting 7 dB(A) from the A-weighted sound power level L_{WA} .

It is important to note that reflexion and room characteristics as well as natural frequencies differently influence the sound pressure levels.

Summation of several congeneric sound levels:

$$L_z = L_1 + 10 \cdot \lg(z)$$

where: z = number of sources, L_1 = sound level of a single source,

L_z = resulting summation sound level

Supply Options

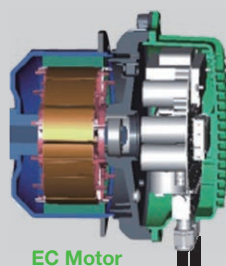
There are 2 different options:

- Motorised Fan Impeller
- Motorised Fan Impeller with fan cabinet c/w inlet cone

Accessories

The following accessories are available:

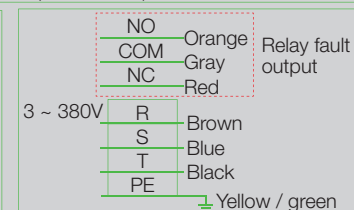
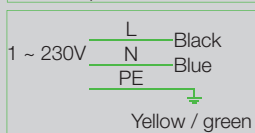
- Elastic Flexible connectors
- Anti-Vibration Mountings



EC Motor

Power Input:

- Single-phase: AC 220V, 230V (200 ~ 277V)
- Three-phase: AC 400V, 440V (380 ~ 480V)



Control:

- 485A --- Brown
- 485B --- Black
- 485GND --- Green
- FG --- White
- Output 10V --- Red
- VSP / PWM --- Yellow
- GND --- Blue

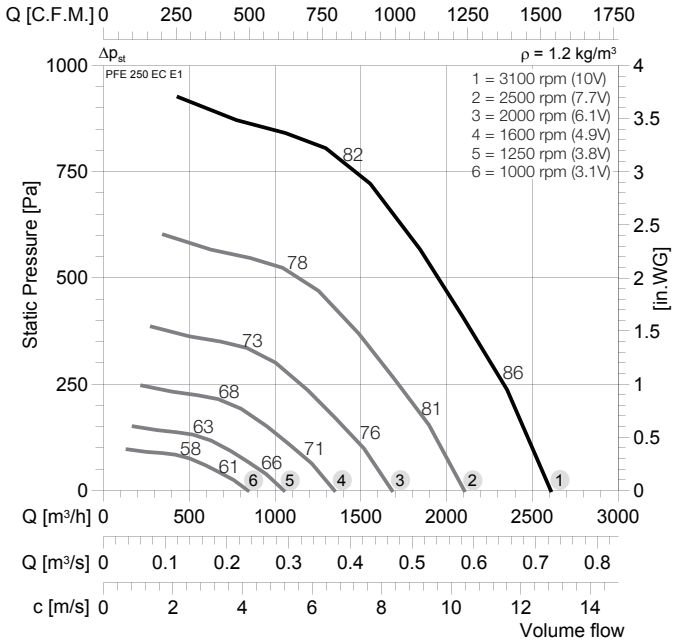


High Efficiency Plug Fan

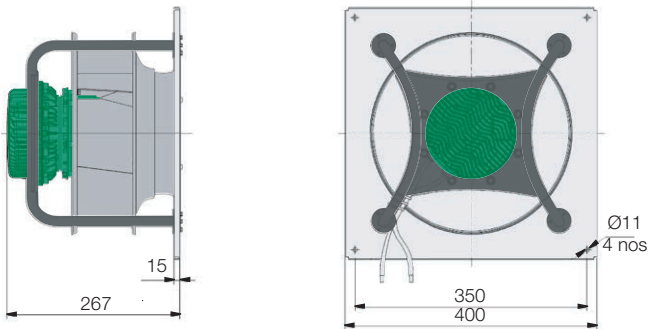
PFE with EC Motor



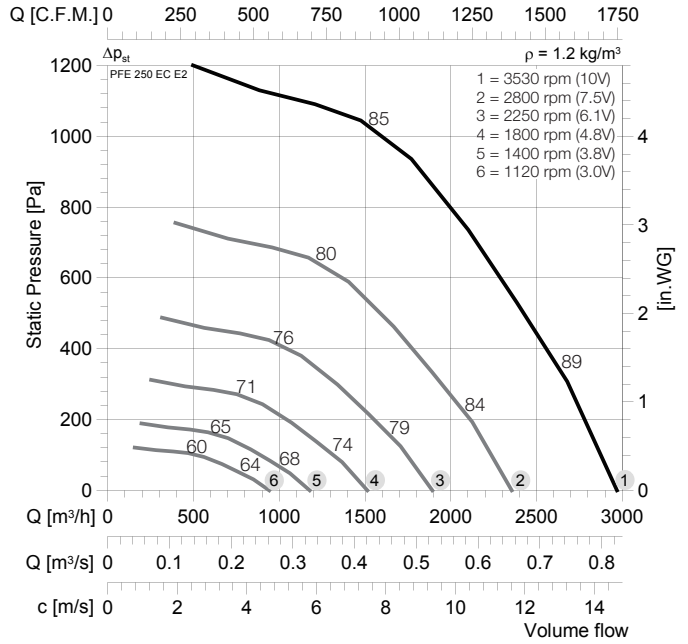
PFE 250 EC E1



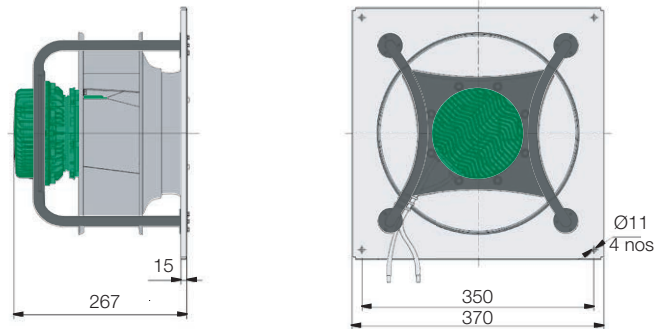
Typ : PFE 250 EC E1		IP 54
ArtNr : -		E11
: 9,7 kg		GS 1
U : 230 V 50/60 Hz		-
P ₁ : 0,54 kW		-
I _N : 2,38 A		
n _{motor} : 3100 min ⁻¹		
max n _{fan} : 3100 min ⁻¹		
t _R : 40 °C		



PFE 250 EC E2



Typ : PFE 250 EC E2		IP 54
ArtNr : -		E11
: 10,3 kg		GS 1
U : 230 V 50/60 Hz		-
P ₁ : 0,803 kW		-
I _N : 3,47 A		
n _{motor} : 3530 min ⁻¹		
max n _{fan} : 3530 min ⁻¹		
t _R : 40 °C		



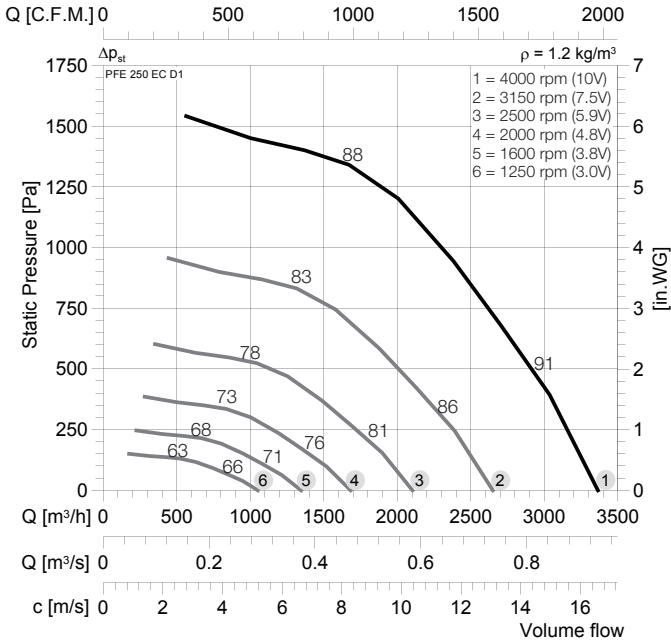


High Efficiency Plug Fan

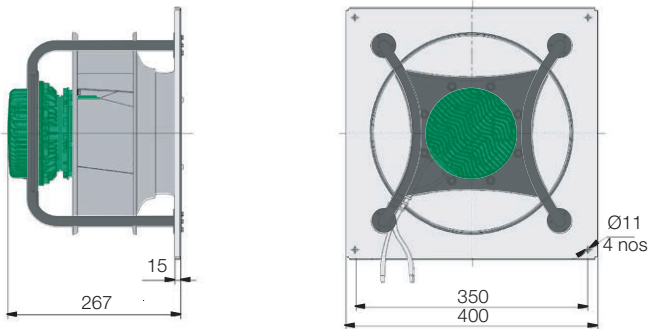
PFE with EC Motor



PFE 250 EC D1



Typ : PFE 250 EC D1		IP 54
ArtNr : -		DDO
: 11 kg		GS 1
U : 400 V 50/60 Hz		-
P ₁ : 1,14 kW		-
I _N : 1,8 A		
n _{motor} : 4000 min ⁻¹		
max n _{fan} : 4000 min ⁻¹		
t _R : 40 °C		



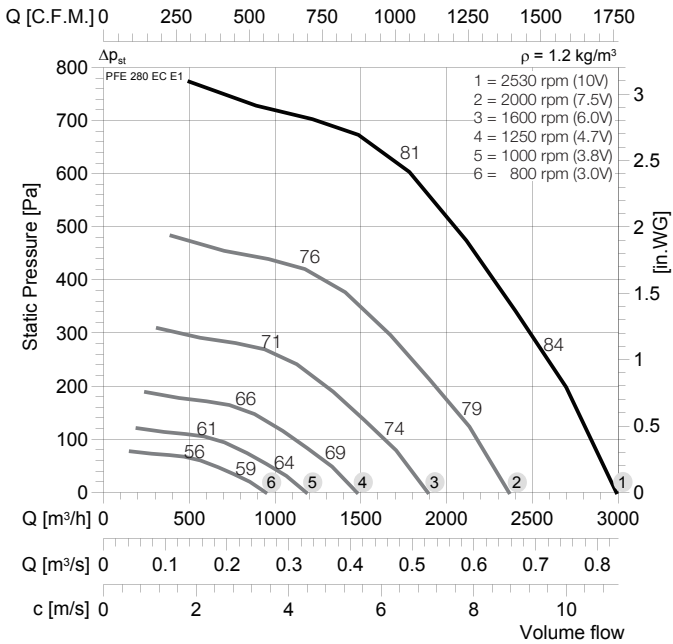


High Efficiency Plug Fan

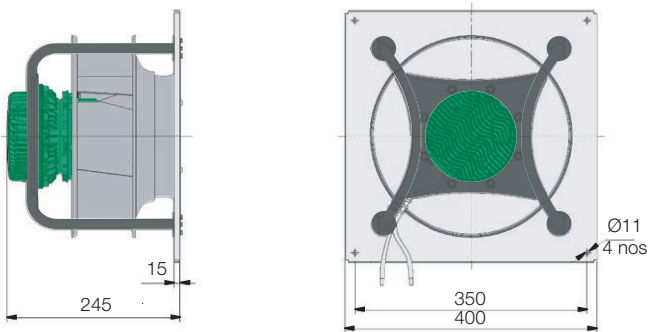
PFE with EC Motor



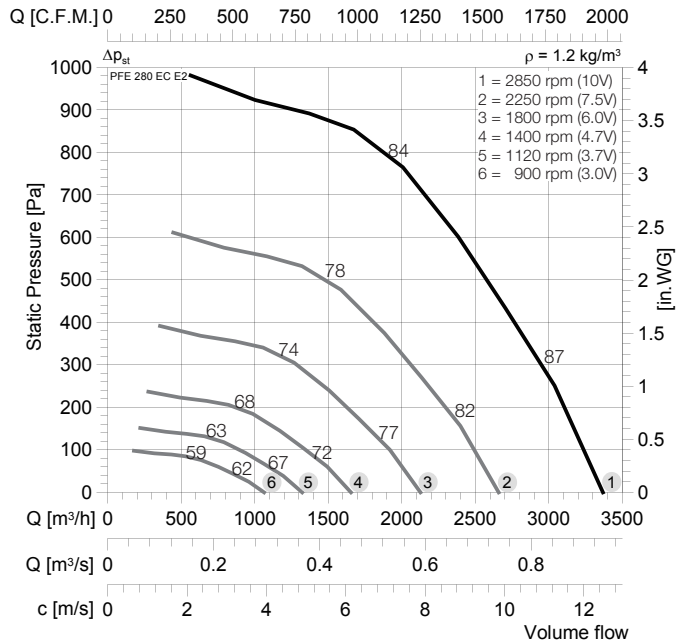
PFE 280 EC E1



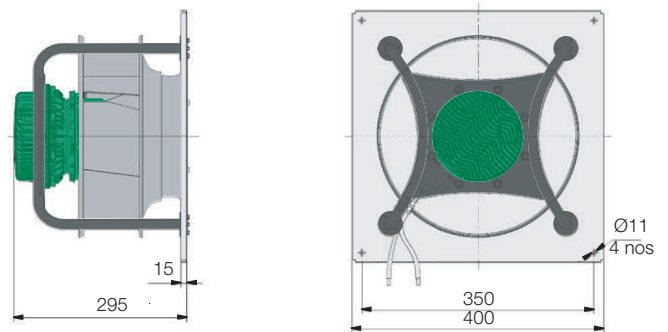
Typ : PFE 280 EC E1	⚠	IP 54
ArtNr : -	★	E11
■ : 11,8 kg	□	GS 1
U : 230 V 50/60 Hz	🔌	-
P ₁ : 0,54 kW	⚡	-
I _N : 2,4 A		
n _{motor} : 2530 min ⁻¹		
max n _{fan} : 2530 min ⁻¹		
t _R : 40 °C		



PFE 280 EC E2



Typ : PFE 280 EC E2	⚠	IP 54
ArtNr : -	★	DD0
■ : 11,8 kg	□	GS 1
U : 230 V 50/60 Hz	🔌	-
P ₁ : 0,73 kW	⚡	-
I _N : 3,20 A		
n _{motor} : 2850 min ⁻¹		
max n _{fan} : 2850 min ⁻¹		
t _R : 40 °C		



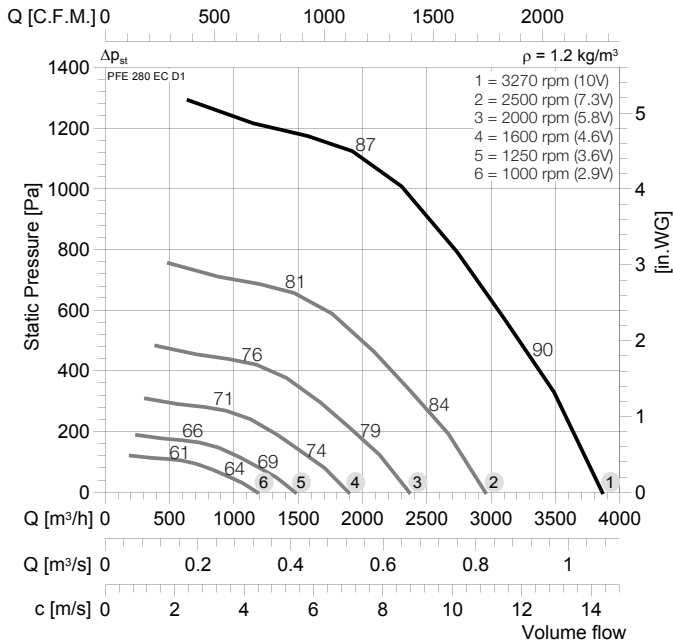


High Efficiency Plug Fan

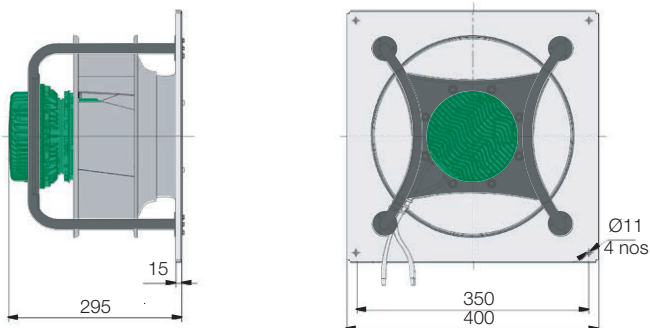
PFE with EC Motor



PFE 280 EC D1



Typ : PFE 280 EC D1		IP 54
ArtNr : -		DDO
: 11,8 kg		GS 1
U : 400 V 50/60 Hz		-
P ₁ : 1,14 kW		-
I _N : 1,86 A		
n _{motor} : 3270 min ⁻¹		
max n _{fan} : 3270 min ⁻¹		
t _R : 40 °C		



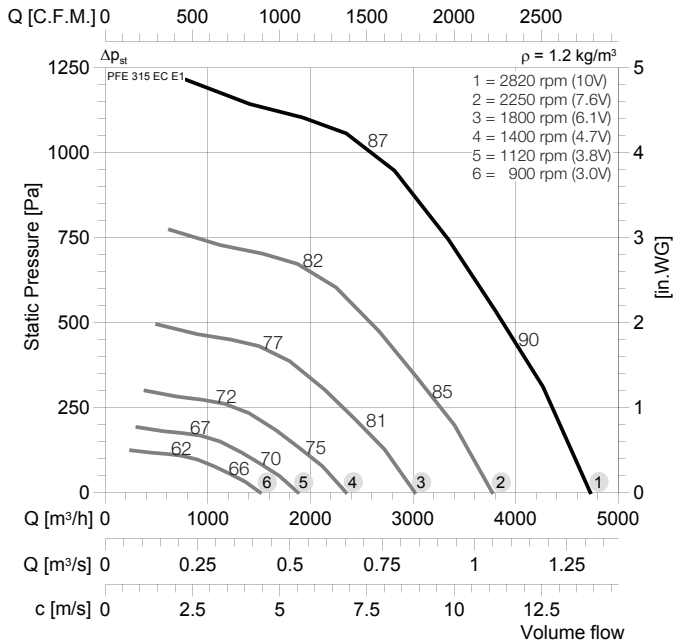


High Efficiency Plug Fan

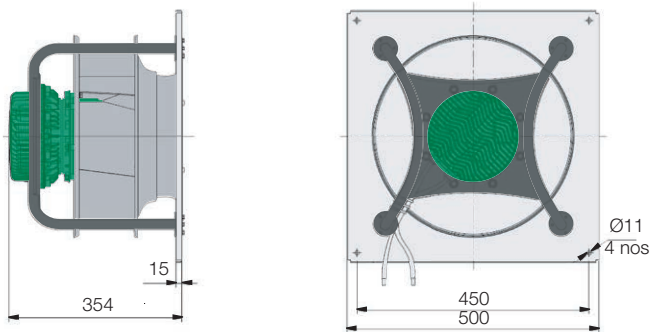
PFE with EC Motor



PFE 315 EC E1



Typ : PFE 315 EC E1		IP 54
ArtNr : -		E11
: 13 kg		GS 1
U : 230 V 50/60 Hz		-
P ₁ : 1,375 kW		-
I _N : 9,3 A		
n _{motor} : 2820 min ⁻¹		
max n _{fan} : 2820 min ⁻¹		
t _R : 40 °C		



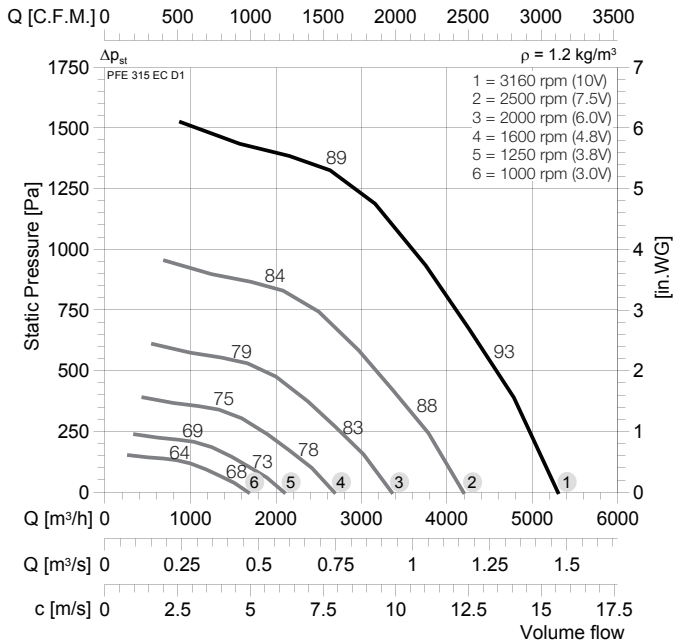


High Efficiency Plug Fan

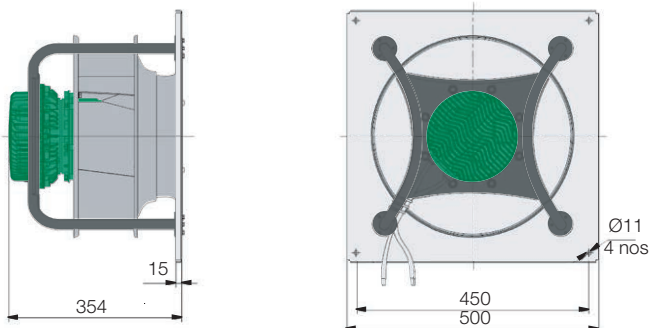
PFE with EC Motor



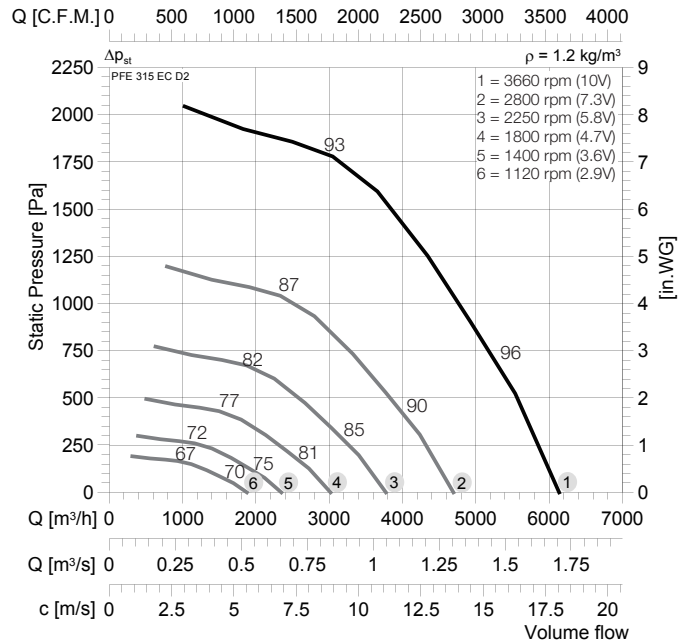
PFE 315 EC D1



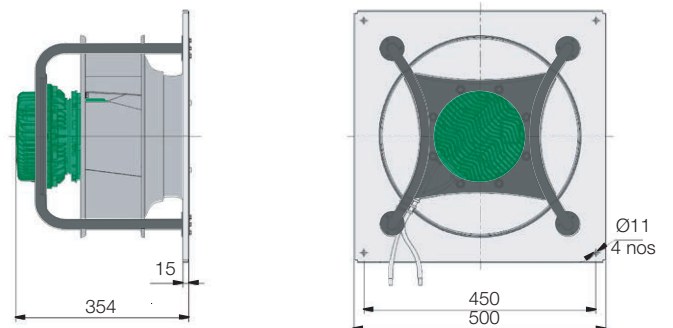
Typ : PFE 315 EC D1		IP 54
ArtNr : -		DD0
: 13 kg		GS 1
U : 400 V 50/60 Hz		-
P ₁ : 1,65 kW		-
I _N : 2,8 A		
n _{motor} : 3160 min ⁻¹		
max n _{fan} : 3160 min ⁻¹		
t _R : 40 °C		



PFE 315 EC D2



Typ : PFE 315 EC D2		IP 54
ArtNr : -		DD0
: 13 kg		GS 1
U : 400 V 50/60 Hz		-
P ₁ : 3,03 kW		-
I _N : 5,3 A		
n _{motor} : 3660 min ⁻¹		
max n _{fan} : 3660 min ⁻¹		
t _R : 40 °C		



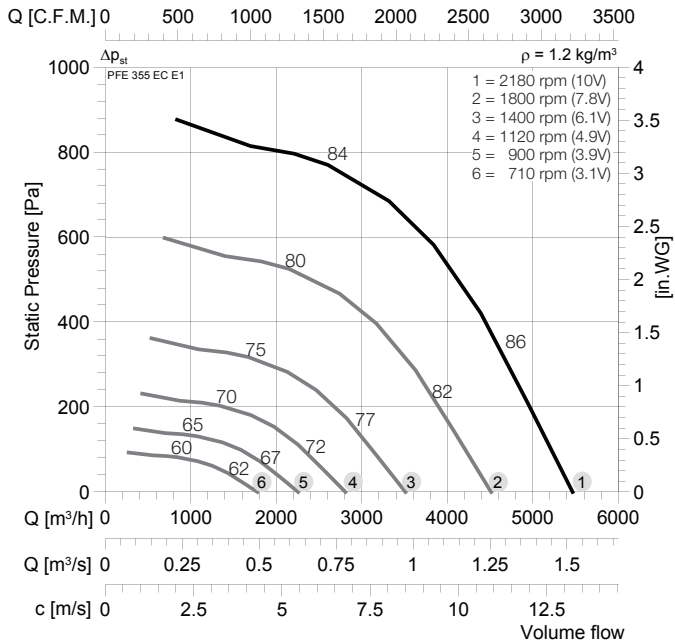


High Efficiency Plug Fan

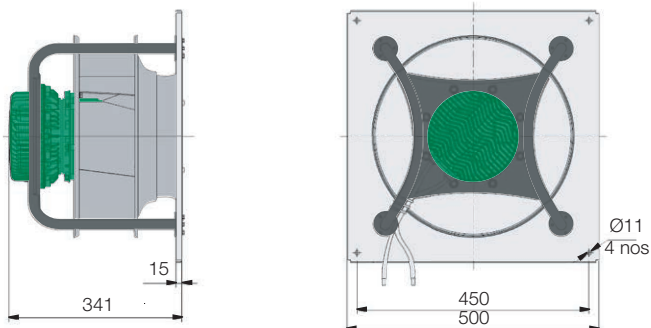
PFE with EC Motor



PFE 355 EC E1



Typ :	PFE 355 EC E1		IP 54
ArtNr :	-		E11
	19 kg		GS 1
U :	230 V 50/60 Hz		-
P ₁ :	1,04 kW		-
I _N :	7,4 A		
n _{motor} :	2180 min ⁻¹		
max n _{fan} :	2180 min ⁻¹		
t _R :	40 °C		



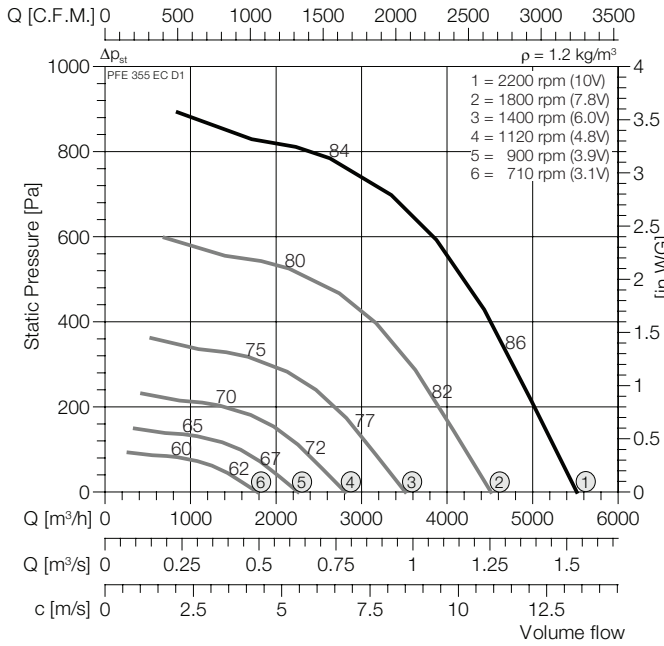


High Efficiency Plug Fan

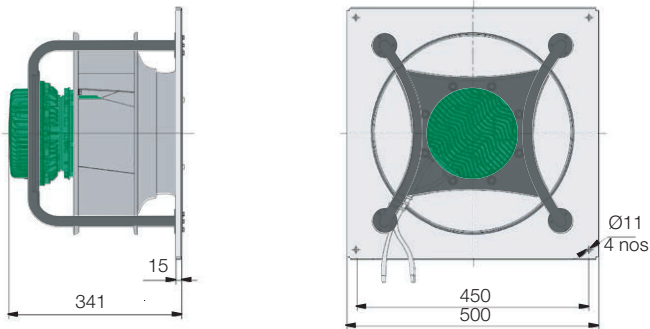
PFE with EC Motor



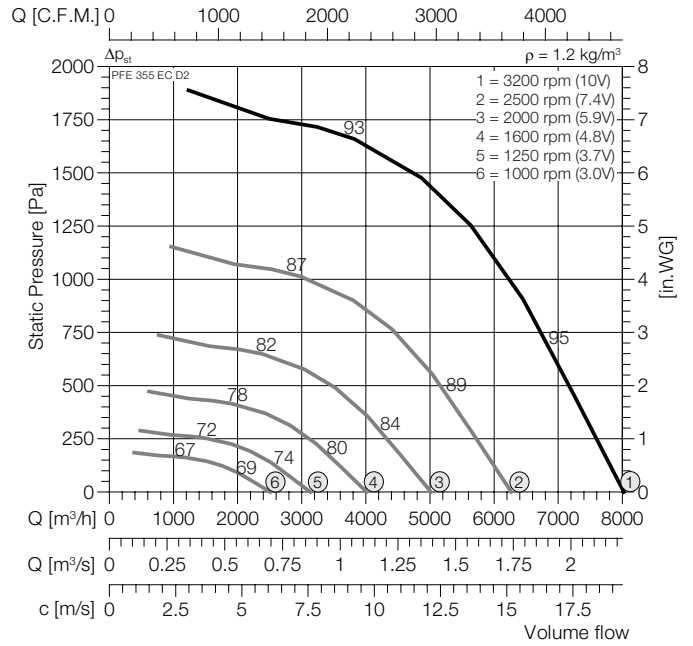
PFE 355 EC D1



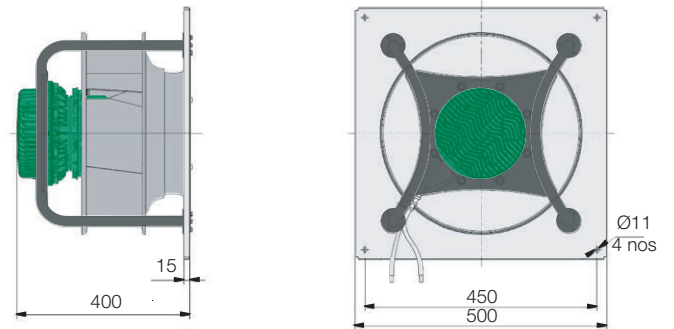
Typ : PFE 355 EC D1		IP 54
ArtNr : -		DD0
: 19 kg		GS 1
U : 400 V 50/60 Hz		-
P ₁ : 1,1 kW		-
I _N : 1,8 A		
n _{motor} : 2200 min ⁻¹		
max n _{fan} : 2200 min ⁻¹		
t _R : 40 °C		



PFE 355 EC D2



Typ : PFE 355 EC D2		IP 54
ArtNr : -		DD0
: 24 kg		GS 1
U : 400 V 50/60 Hz		-
P ₁ : 3,25 kW		-
I _N : 5,1 A		
n _{motor} : 3200 min ⁻¹		
max n _{fan} : 3200 min ⁻¹		
t _R : 40 °C		



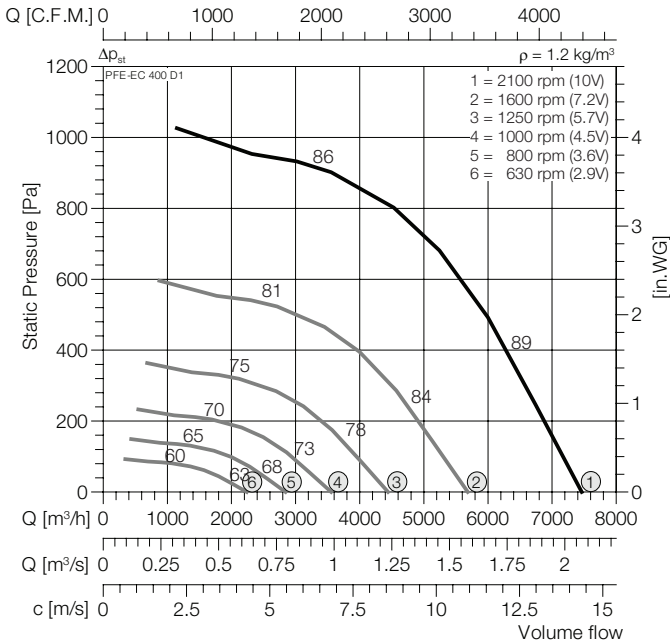


High Efficiency Plug Fan

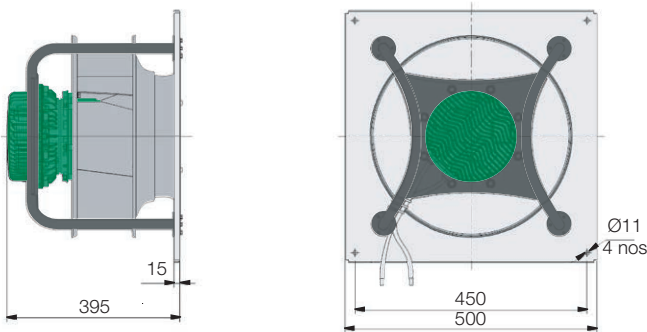
PFE with EC Motor



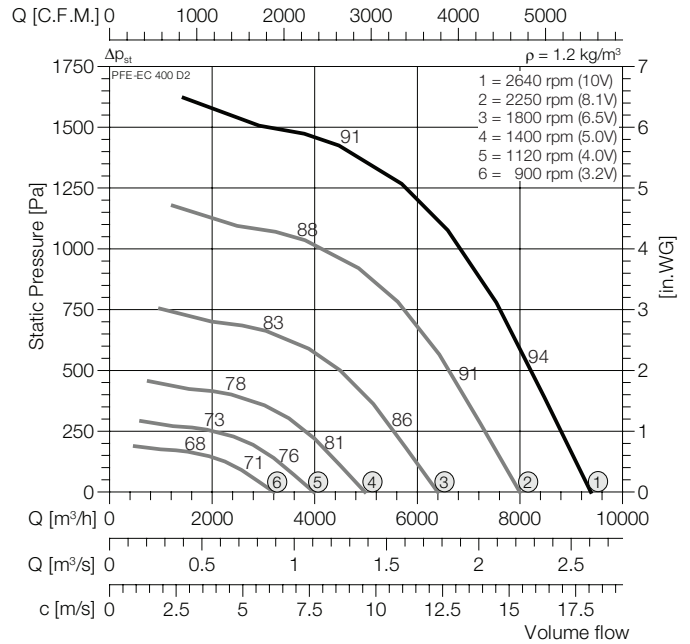
PFE 400 EC D1



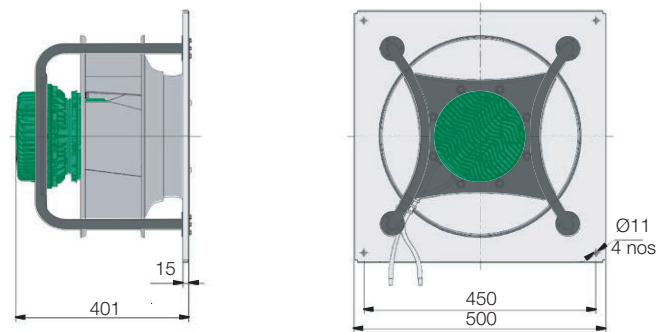
Typ : PFE 400 EC D1		IP54
ArtNr : -		DD0
: 25 kg		GS 1
U : 400 V 50/60 Hz		-
P ₁ : 1,58 kW		-
I _N : 2,5 A		
n _{motor} : 2100 min ⁻¹		
max n _{fan} : 2100 min ⁻¹		
t _R : 40 °C		



PFE 400 EC D2



Typ : PFE 400 EC D2		IP54
ArtNr : -		DD0
: 26 kg		GS 1
U : 400 V 50/60 Hz		-
P ₁ : 3,35 kW		-
I _N : 5,0 A		
n _{motor} : 2640 min ⁻¹		
max n _{fan} : 2640 min ⁻¹		
t _R : 40 °C		



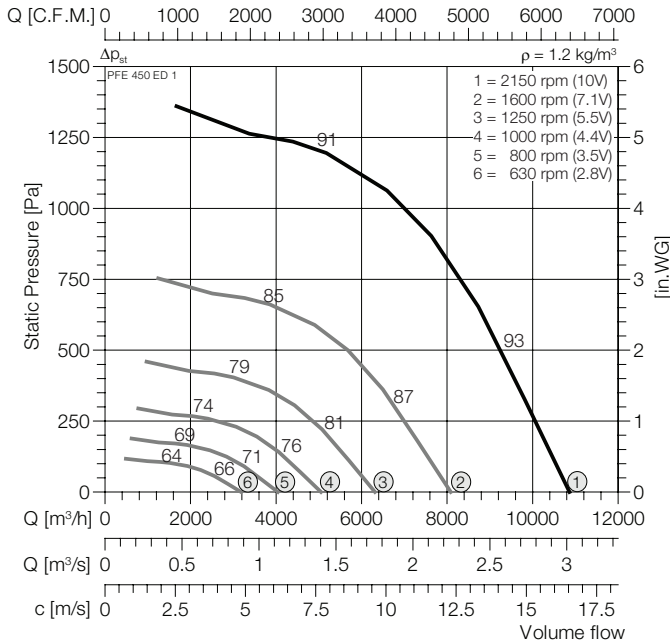


High Efficiency Plug Fan

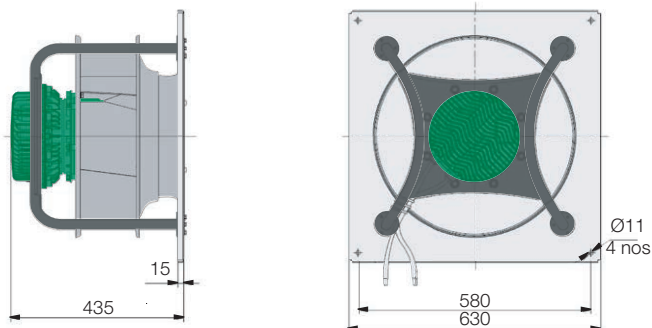
PFE with EC Motor



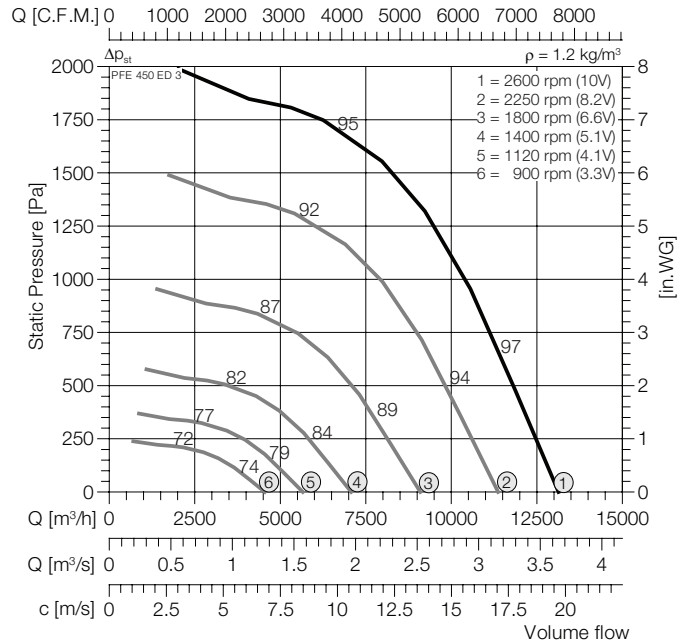
PFE 450 EC D1



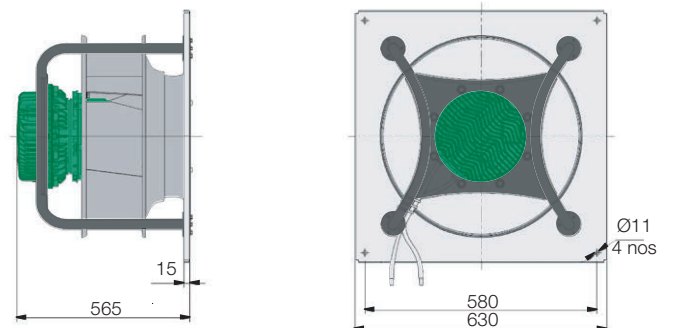
Typ : PFE 450 EC D1		IP 54
ArtNr : -		DD0
: 31 kg		GS 1
U : 400 V 50/60 Hz		-
P ₁ : 2,95 kW		-
I _N : 4,5 A		
n _{motor} : 2150 min ⁻¹		
max n _{fan} : 2150 min ⁻¹		
t _R : 40 °C		



PFE 450 EC D2



Typ : PFE 450 EC D2		IP 54
ArtNr : -		DD0
: 37 kg		GS 1
U : 400 V 50/60 Hz		-
P ₁ : 5,5 kW		-
I _N : 9,0 A		
n _{motor} : 2600 min ⁻¹		
max n _{fan} : 2600 min ⁻¹		
t _R : 40 °C		



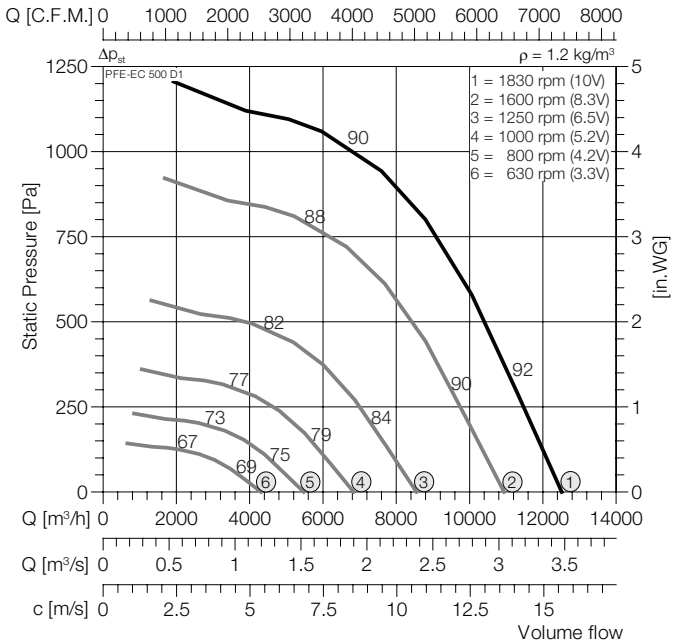


High Efficiency Plug Fan

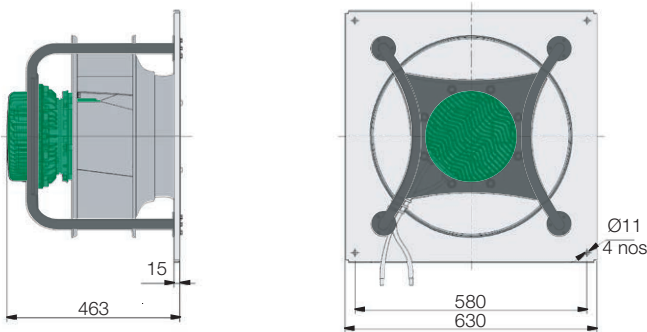
PFE with EC Motor



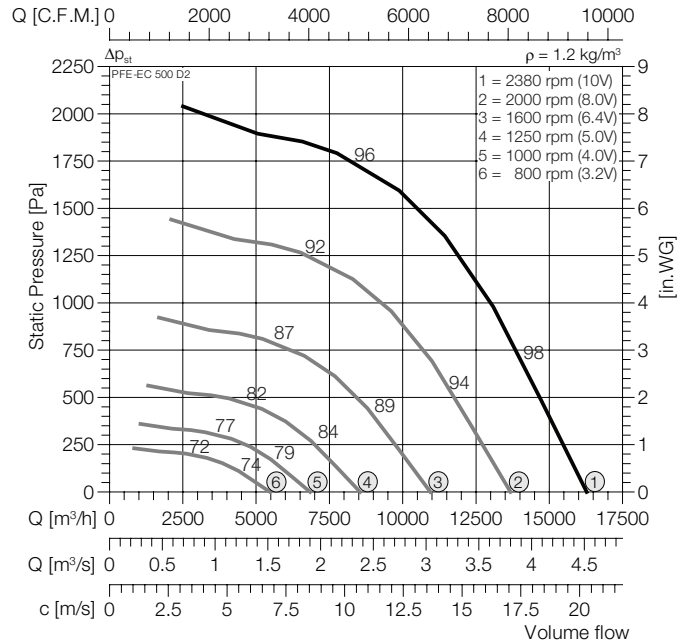
PFE 500 EC D1



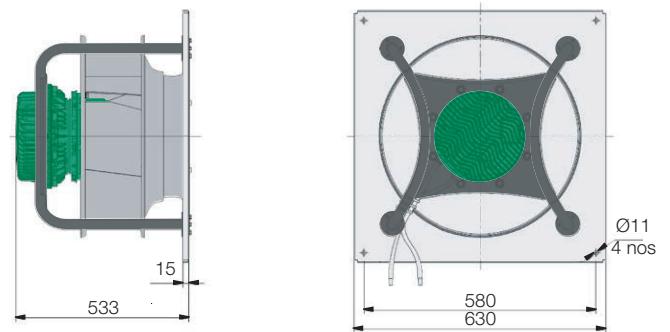
Typ : PFE 500 EC D1		IP54
ArtNr : -		DD0
: 33 kg		GS 1
U : 400 V 50/60 Hz		-
P ₁ : 3,46 kW		-
I _N : 5,75 A		
n _{motor} : 1830 min ⁻¹		
max n _{fan} : 1830 min ⁻¹		
t _R : 40 °C		



PFE 500 EC D2



Typ : PFE 500 EC D2		IP54
ArtNr : -		DD0
: 39 kg		GS 1
U : 400 V 50/60 Hz		-
P ₁ : 6,7 kW		-
I _N : 10,5 A		
n _{motor} : 2400 min ⁻¹		
max n _{fan} : 2380 min ⁻¹		
t _R : 40 °C		



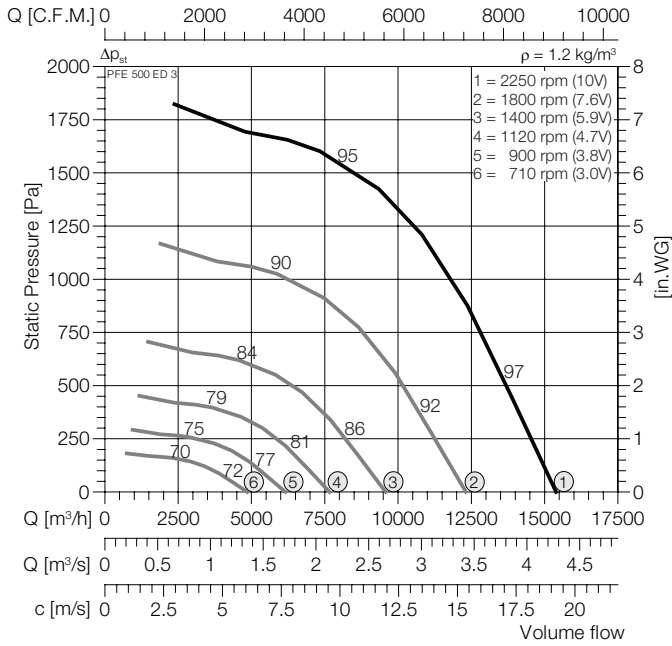


High Efficiency Plug Fan

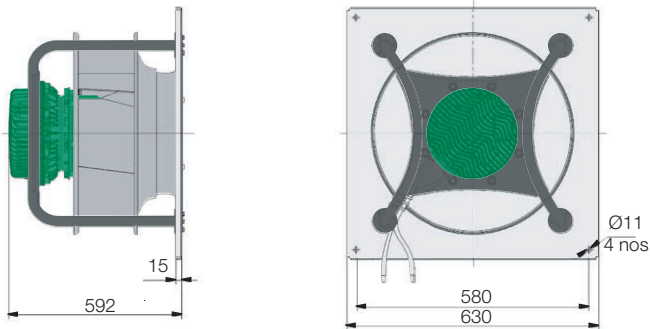
PFE with EC Motor



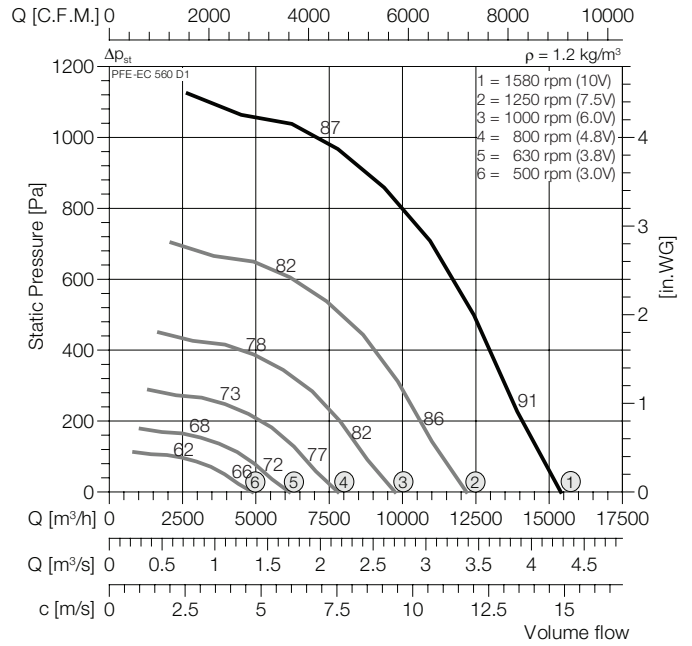
PFE 500 EC D3



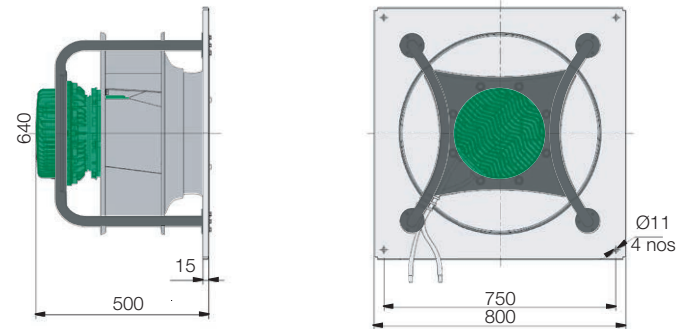
Typ : PFE 500 EC D3		IP54
ArtNr : -		DD0
: 39 kg		GS 1
U : 400 V 50/60 Hz		-
P ₁ : 5,5 kW		-
I _N : 8,5 A		
n _{motor} : 2250 min ⁻¹		
max n _{fan} : 2250 min ⁻¹		
t _R : 40 °C		



PFE 560 EC D1



Typ : PFE 560 EC D1		IP54
ArtNr : -		DD0
: 46 kg		GS 1
U : 400 V 50/60 Hz		-
P ₁ : 3,53 kW		-
I _N : 5,5 A		
n _{motor} : 1830 min ⁻¹		
max n _{fan} : 1580 min ⁻¹		
t _R : 40 °C		



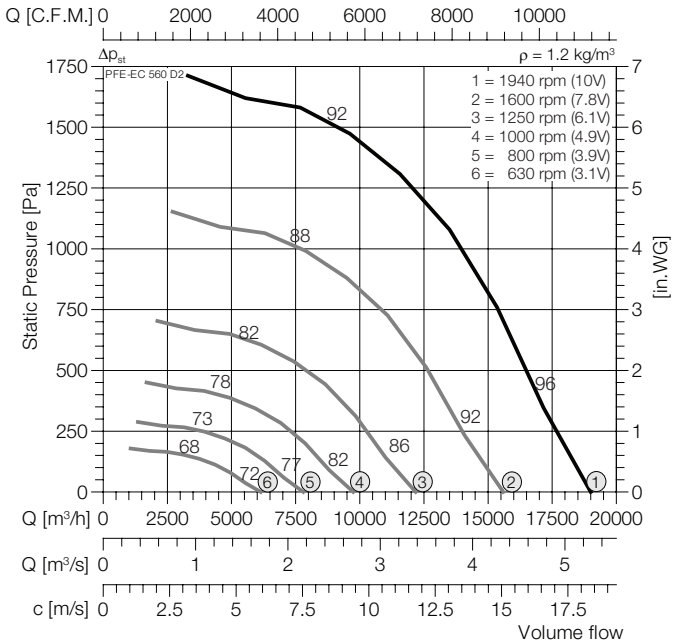


High Efficiency Plug Fan

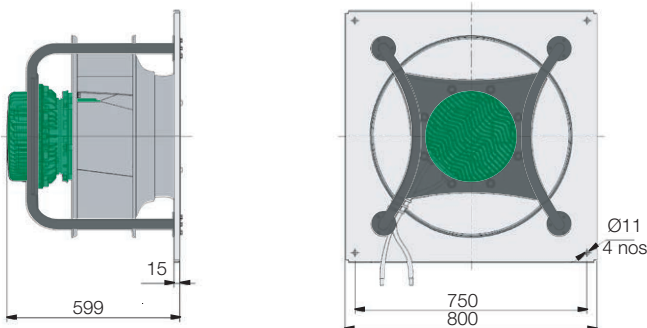
PFE with EC Motor



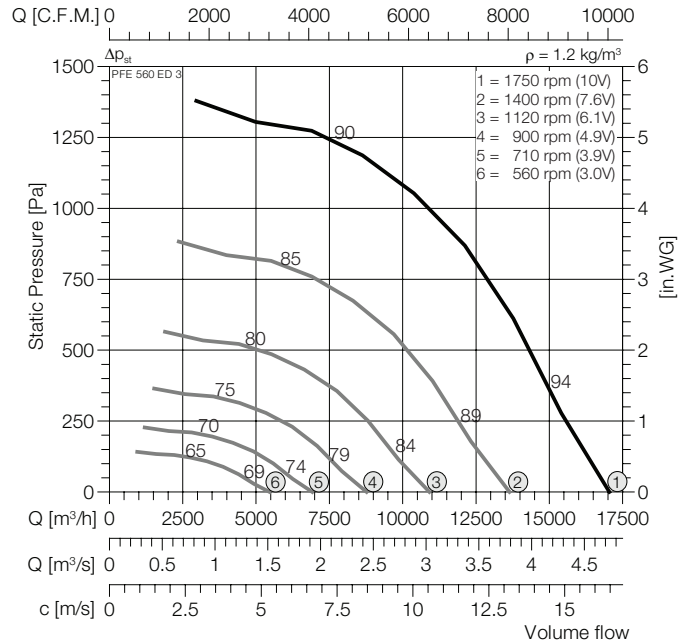
PFE 560 EC D2



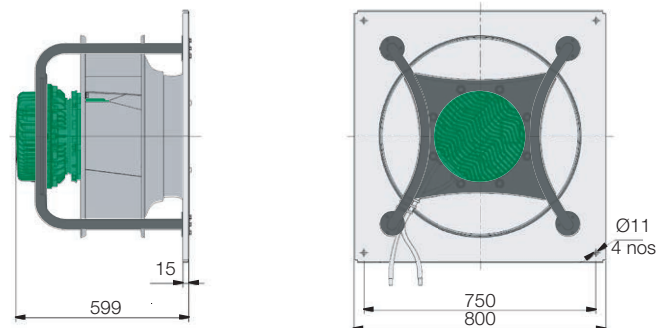
Typ : PFE 560 EC D2		IP 54
ArtNr : -		DD0
: 52 kg		GS 1
U : 400 V 50/60 Hz		-
P ₁ : 6,7 kW		-
I _N : 10,8 A		
n _{motor} : 1940 min ⁻¹		
max n _{fan} : 1940 min ⁻¹		
t _R : 40 °C		



PFE 560 EC D3



Typ : PFE 560 EC D3		IP 54
ArtNr : -		DD0
: 52 kg		GS 1
U : 400 V 50/60 Hz		-
P ₁ : 5,6 kW		-
I _N : 8,9 A		
n _{motor} : 1750 min ⁻¹		
max n _{fan} : 1750 min ⁻¹		
t _R : 40 °C		



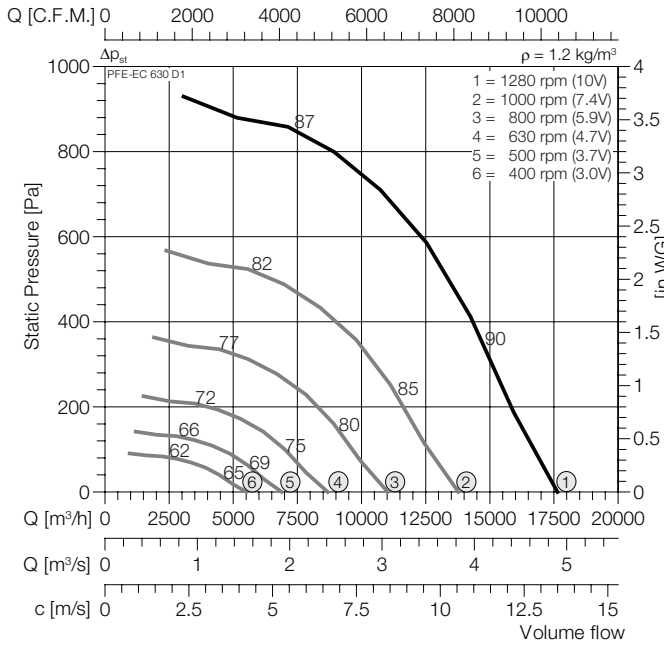


High Efficiency Plug Fan

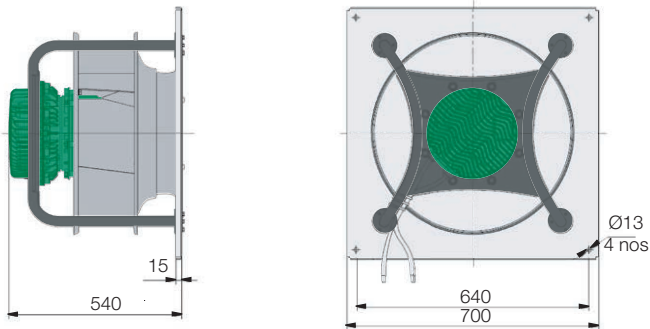
PFE with EC Motor



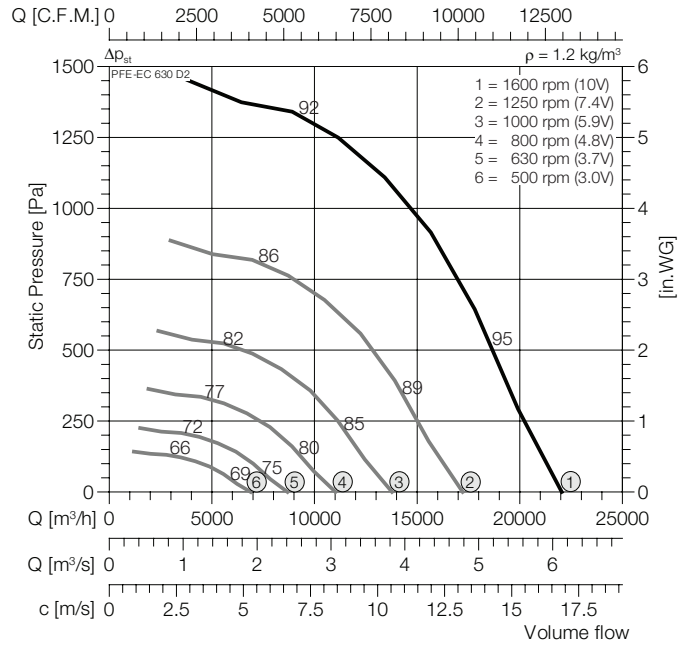
PFE 630 EC D1



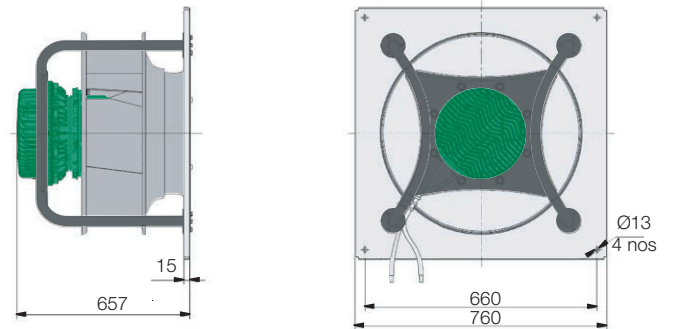
Typ : PFE 630 EC D1		IP 54
ArtNr : -		DD0
: 64 kg		GS 1
U : 400 V 50/60 Hz		-
P ₁ : 3,5 kW		-
I _N : 5,7 A		
n _{motor} : 1330 min ⁻¹		
max n _{fan} : 1280 min ⁻¹		
t _R : 40 °C		



PFE 630 EC D2



Typ : PFE 630 EC D2		IP 54
ArtNr : -		DD0
: 64 kg		GS 1
U : 400 V 50/60 Hz		-
P ₁ : 6,7 kW		-
I _N : 11,5 A		
n _{motor} : 1600 min ⁻¹		
max n _{fan} : 1600 min ⁻¹		
t _R : 40 °C		



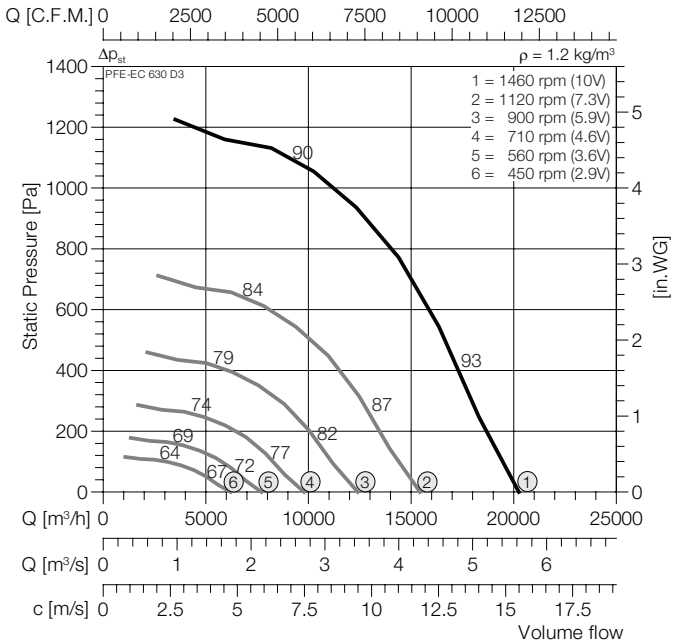


High Efficiency Plug Fan

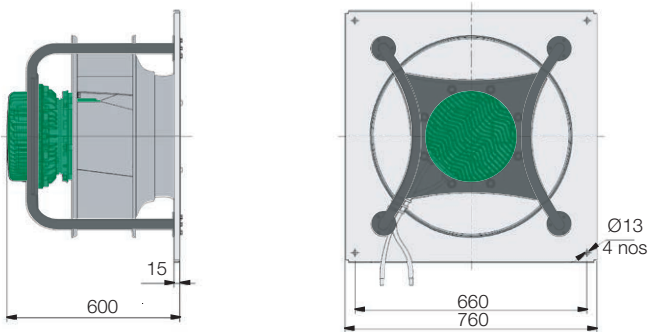
PFE with EC Motor



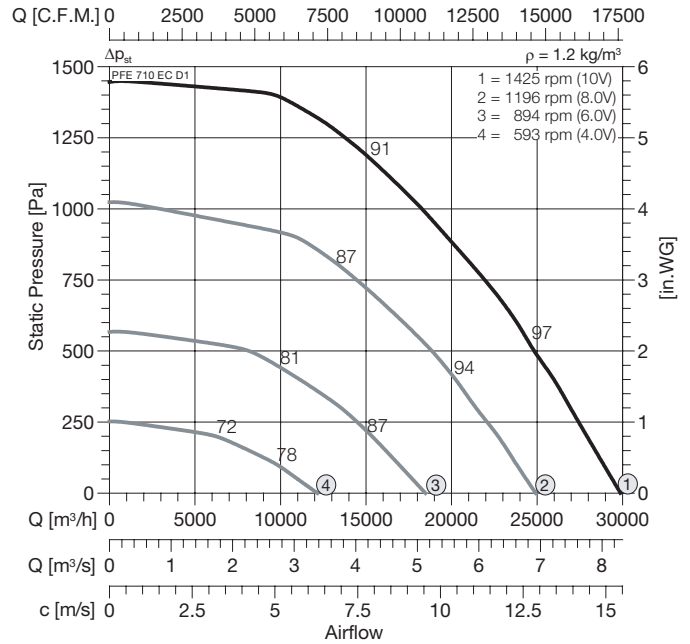
PFE 630 EC D3



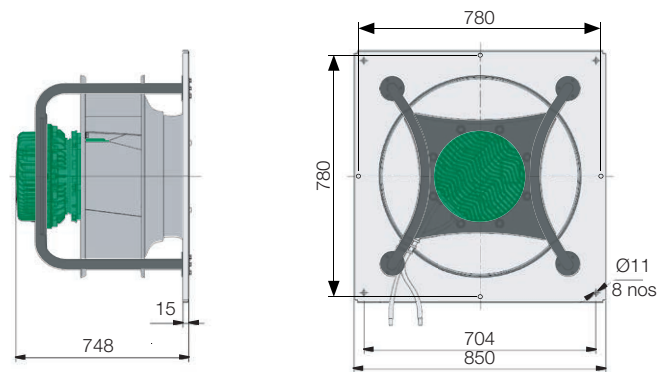
Typ : PFE 630 EC D3		IP 54
ArtNr : -		DD0
: 64 kg		GS 1
U : 400 V 50/60 Hz		-
P ₁ : 5,1 kW		-
I _N : 8,1 A		
n _{motor} : 1460 min ⁻¹		
max n _{fan} : 1460 min ⁻¹		
t _R : 40 °C		



PFE 710 EC D1



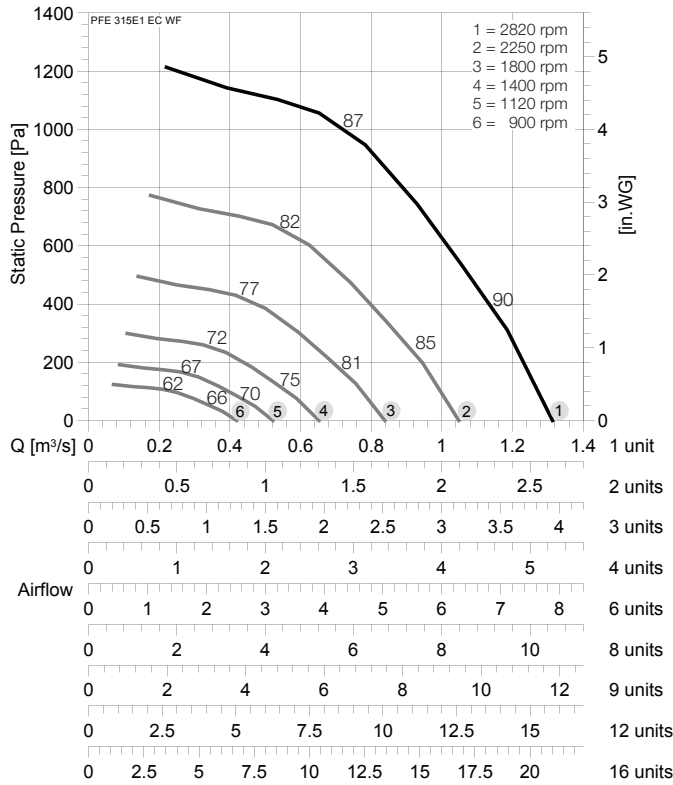
Typ : PFE 710 EC D1		IP 54
ArtNr : -		DD0
: 93 kg		GS 1
U : 400 V 50/60 Hz		-
P ₁ : 7,6 kW		-
I _N : 11,8 A		
n _{motor} : 1425 min ⁻¹		
max n _{fan} : 1425 min ⁻¹		
t _R : 40 °C		





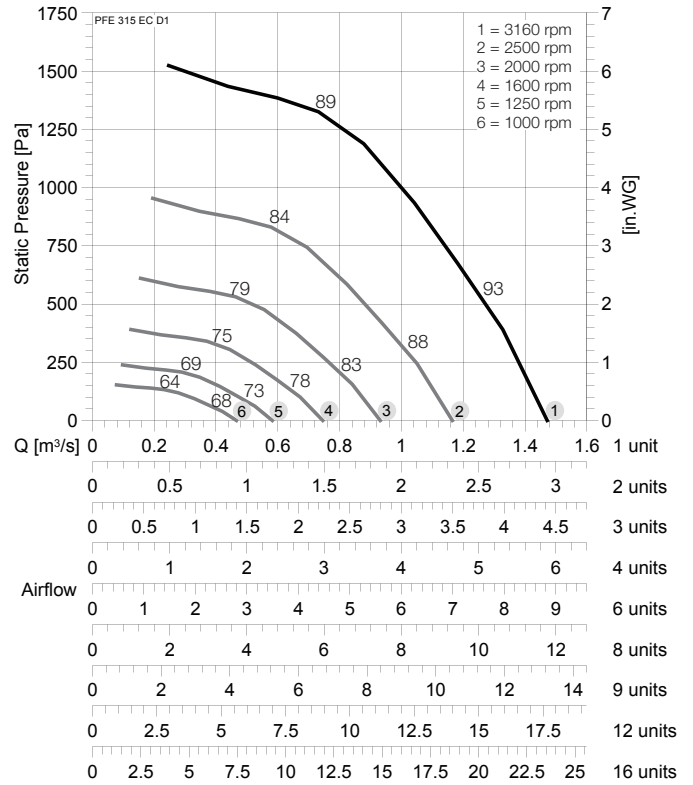
Wall Fan (WF) Performance curves

PFE 315 EC E1 WF



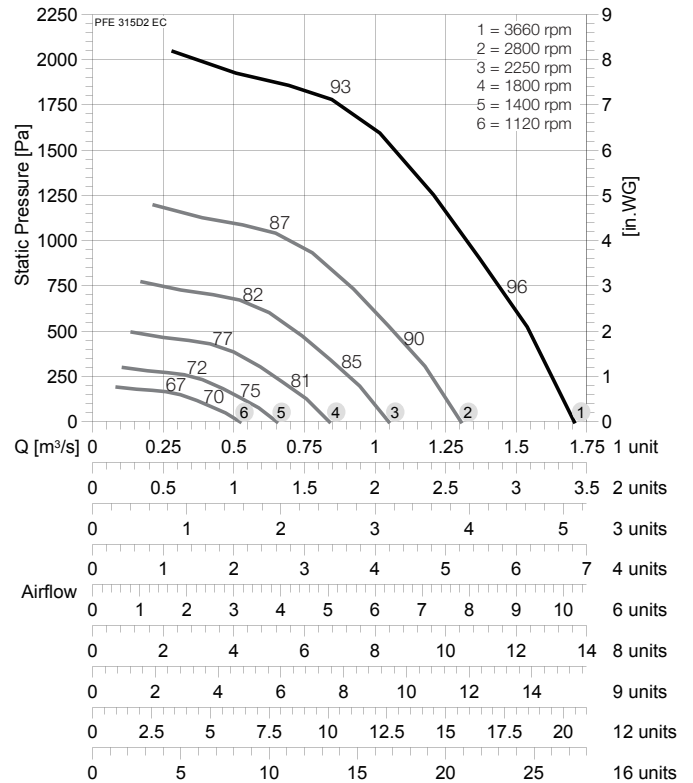
1 unit	Voltage [V]	Frequency [Hz]	Power [kW]	Current [A]	Speed [1/min]
	230	50/60	1,375	9,3	2820

PFE 315 EC D1 WF



1 unit	Voltage [V]	Frequency [Hz]	Power [kW]	Current [A]	Speed [1/min]
	400	50/60	1,65	2,8	3160

PFE 315 EC D2 WF



1 unit	Voltage [V]	Frequency [Hz]	Power [kW]	Current [A]	Speed [1/min]
	400	50/60	3,03	5,3	3660

Note: The data on the above fan curves show the A-weighted sound power level for one fan unit at the outlet side, unducted.

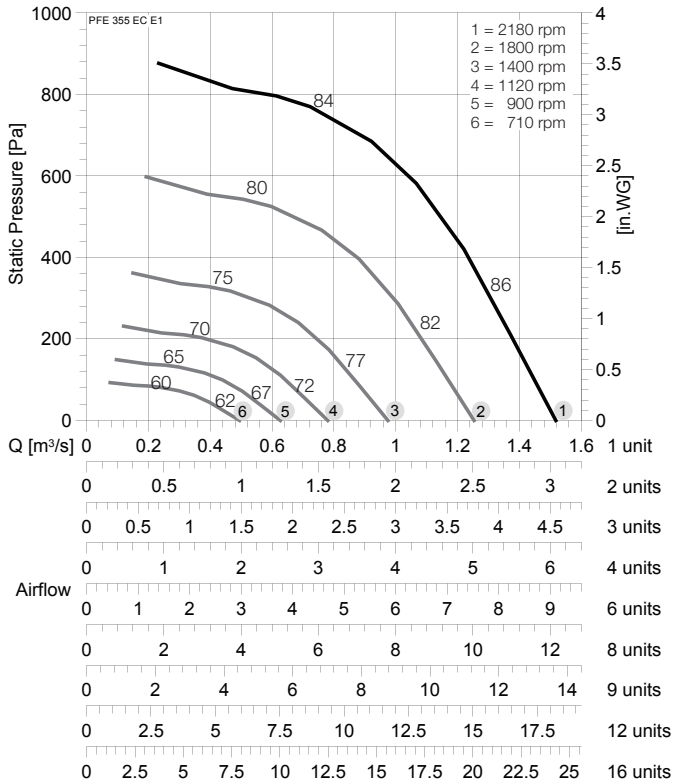


High Efficiency Plug Fan

PFE with EC Motor

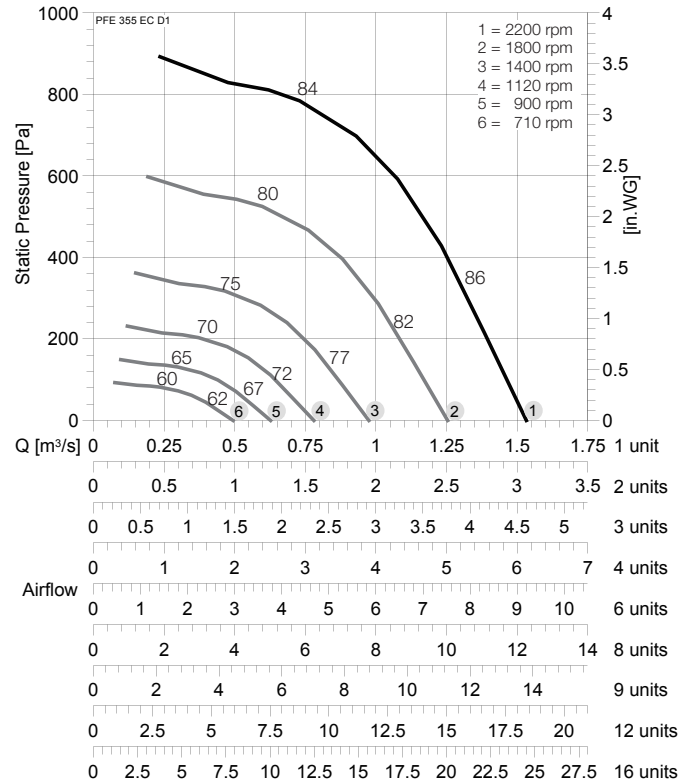


PFE 355 EC E1 WF



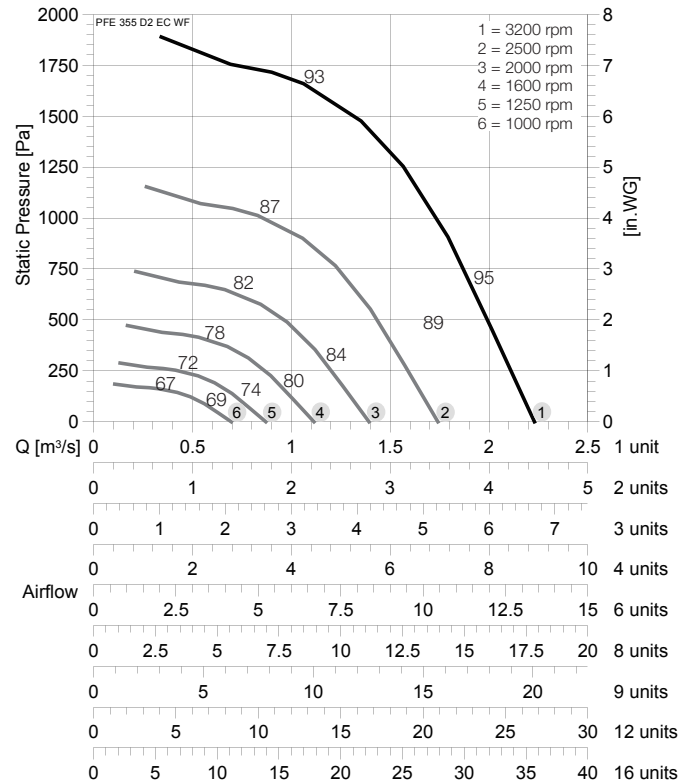
1 unit	Voltage	Frequency	Power	Current	Speed
	[V]	[Hz]	[kW]	[A]	[1/min]
	230	50/60	1,04	7,4	2180

PFE 355 EC D1 WF



1 unit	Voltage	Frequency	Power	Current	Speed
	[V]	[Hz]	[kW]	[A]	[1/min]
	400	50/60	1,1	1,8	2200

PFE 355 EC D2 WF



1 unit	Voltage	Frequency	Power	Current	Speed
	[V]	[Hz]	[kW]	[A]	[1/min]
	400	50/60	3,25	5,1	3200

Note: The data on the above fan curves show the A-weighted sound power level for one fan unit at the outlet side, unducted.

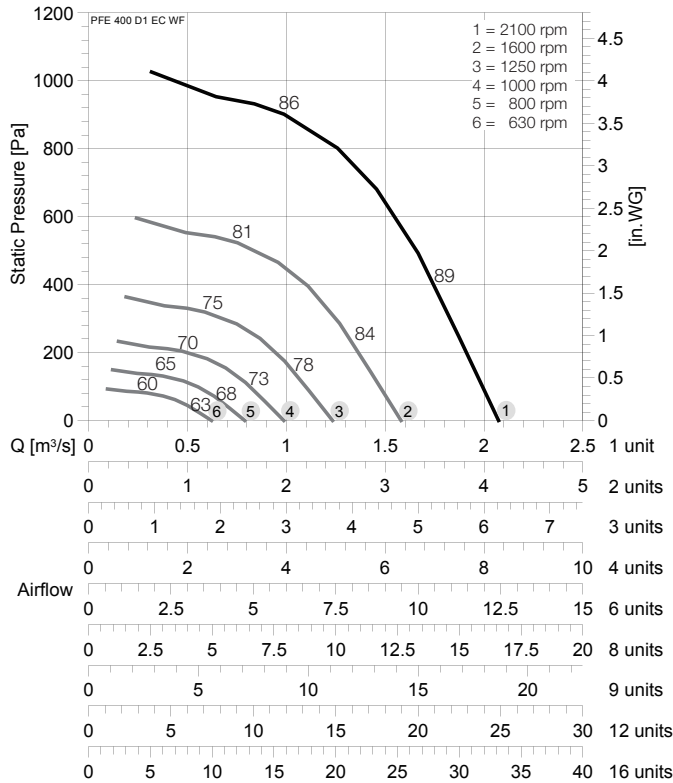


High Efficiency Plug Fan

PFE with EC Motor

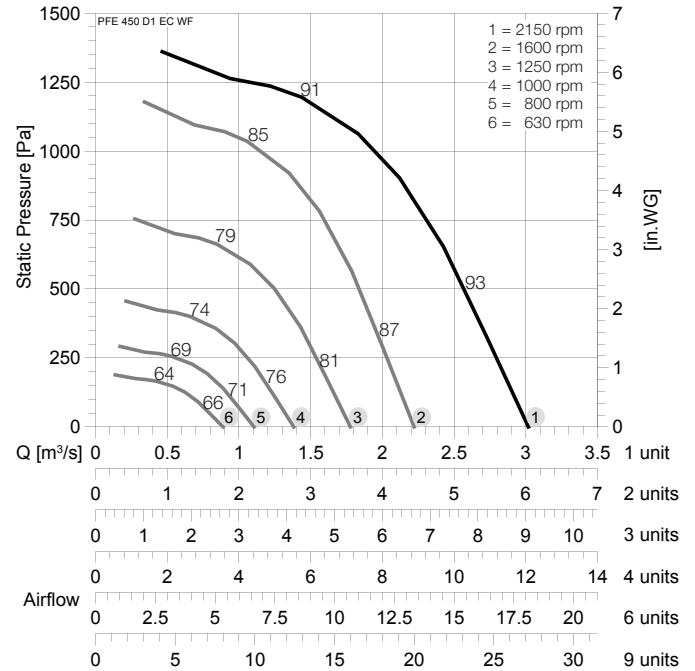


PFE 400 EC D1 WF



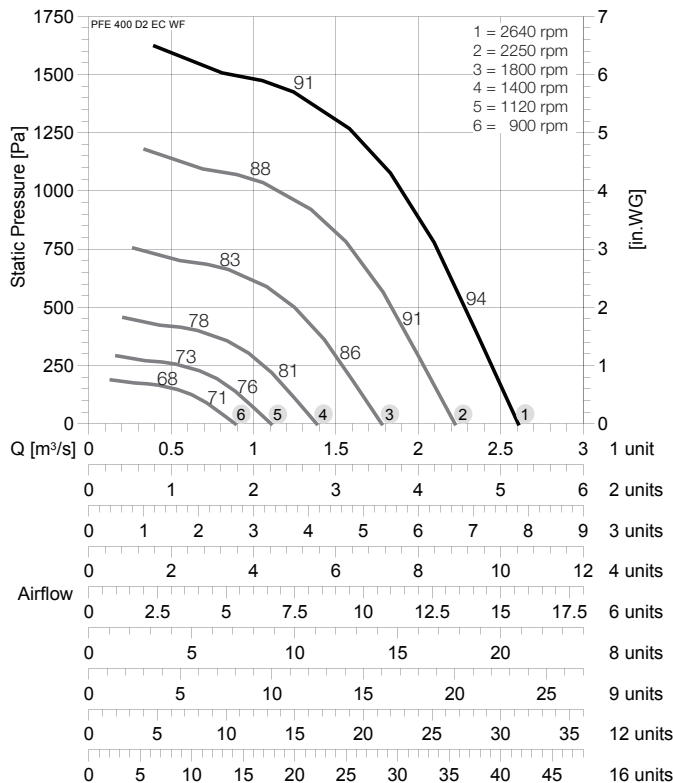
1 unit	Voltage [V]	Frequency [Hz]	Power [kW]	Current [A]	Speed [1/min]
	400	50/60	1,58	2,5	2100

PFE 450 EC D1 WF



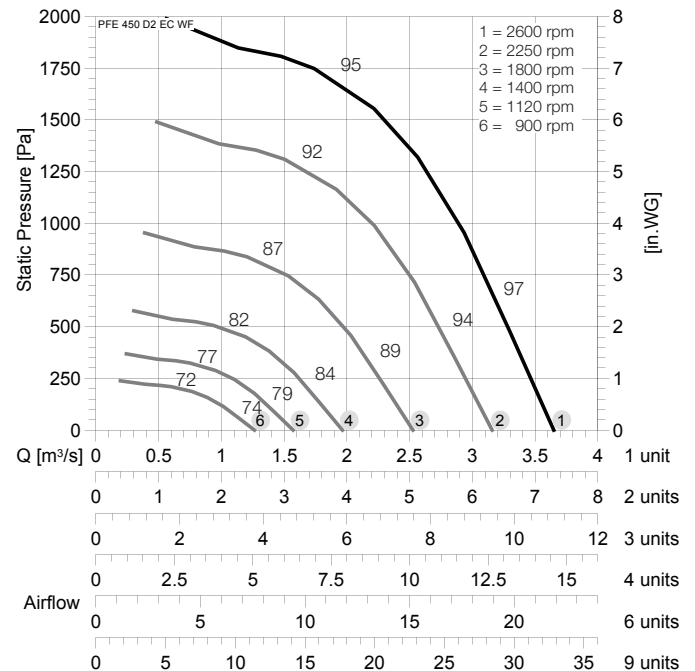
1 unit	Voltage [V]	Frequency [Hz]	Power [kW]	Current [A]	Speed [1/min]
	400	50/60	2,95	4,5	2150

PFE 400 EC D2 WF



1 unit	Voltage [V]	Frequency [Hz]	Power [kW]	Current [A]	Speed [1/min]
	400	50/60	3,35	5,0	2640

PFE 450 EC D2 WF



1 unit	Voltage [V]	Frequency [Hz]	Power [kW]	Current [A]	Speed [1/min]
	400	50/60	5,5	9,0	2600

Note: The data on the above fan curves show the A-weighted sound power level for one fan unit at the outlet side, unducted.

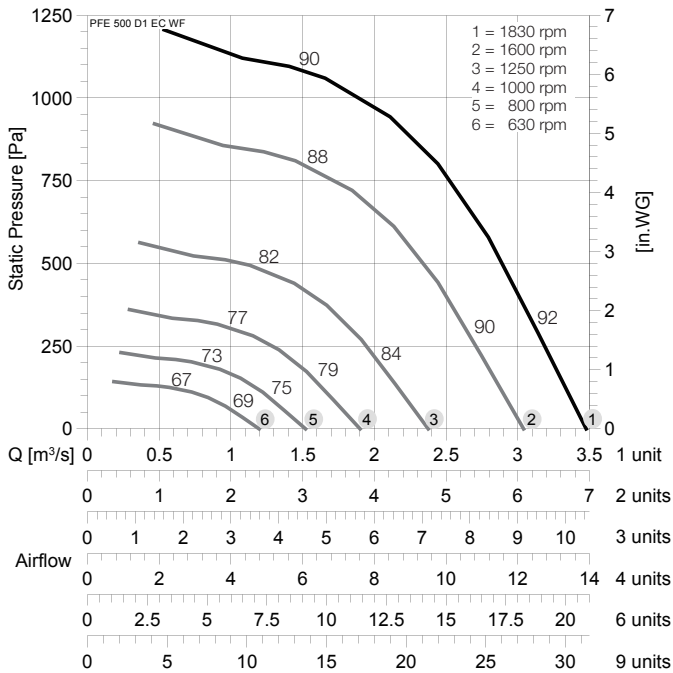


High Efficiency Plug Fan

PFE with EC Motor

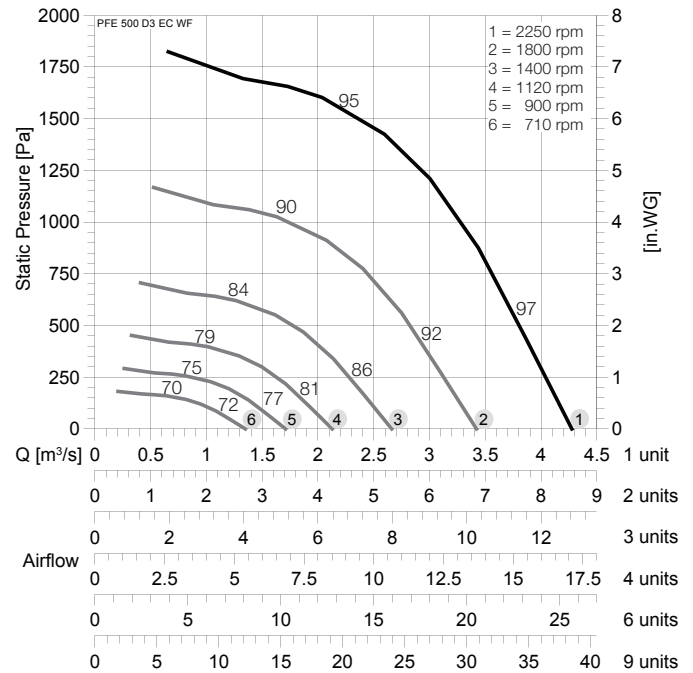


PFE 500 EC D1 WF



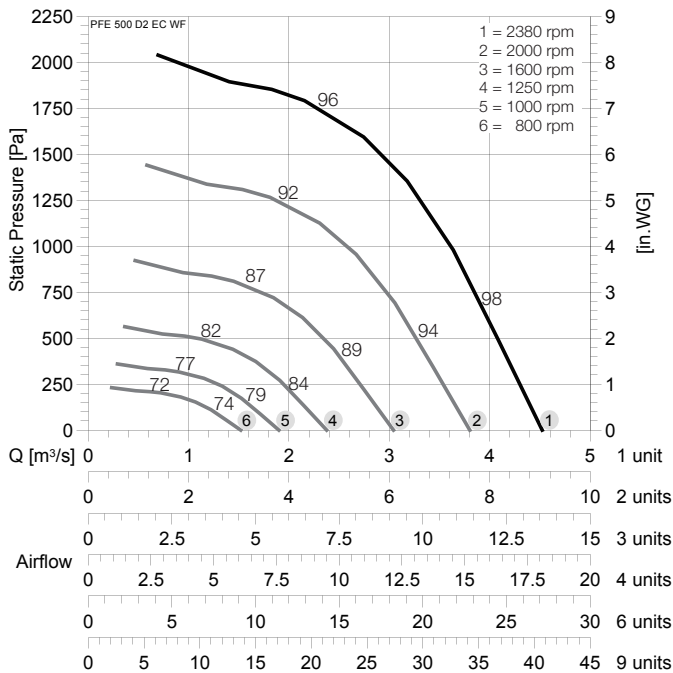
1 unit	Voltage [V]	Frequency [Hz]	Power [kW]	Current [A]	Speed [1/min]
	400	50/60	3,46	5,75	1830

PFE 500 EC D3 WF



1 unit	Voltage [V]	Frequency [Hz]	Power [kW]	Current [A]	Speed [1/min]
	400	50/60	5,5	8,5	2250

PFE 500 EC D2 WF



1 unit	Voltage [V]	Frequency [Hz]	Power [kW]	Current [A]	Speed [1/min]
	400	50/60	6,7	10,5	2400

Note: The data on the above fan curves show the A-weighted sound power level for one fan unit at the outlet side, unducted.

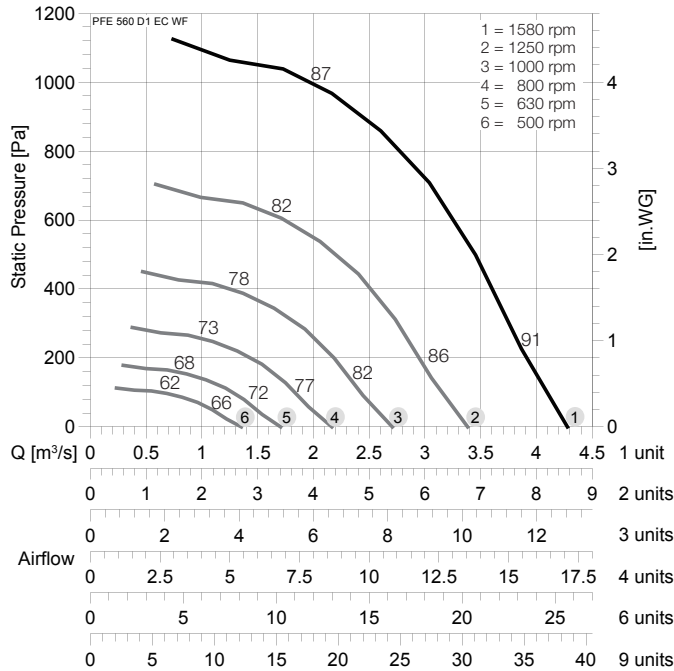


High Efficiency Plug Fan

PFE with EC Motor

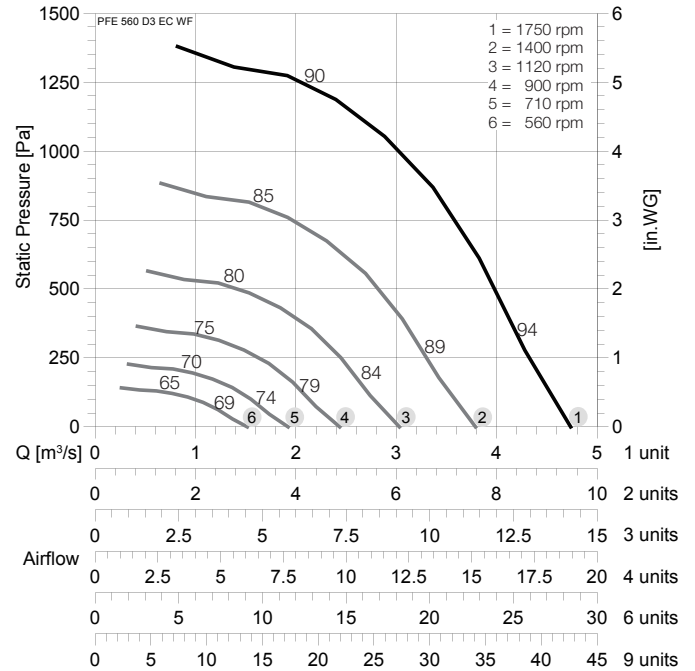


PFE 560 EC D1 WF



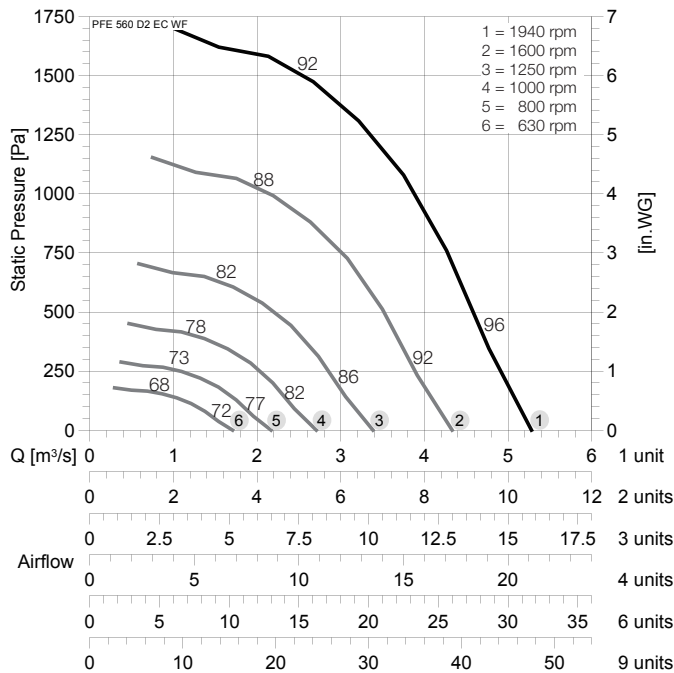
1 unit	Voltage	Frequency	Power	Current	Speed
	[V]	[Hz]	[kW]	[A]	[1/min]
	400	50/60	3,53	5,5	1580

PFE 560 EC D3 WF



1 unit	Voltage	Frequency	Power	Current	Speed
	[V]	[Hz]	[kW]	[A]	[1/min]
	400	50/60	5,6	8,9	1750

PFE 560 EC D2 WF

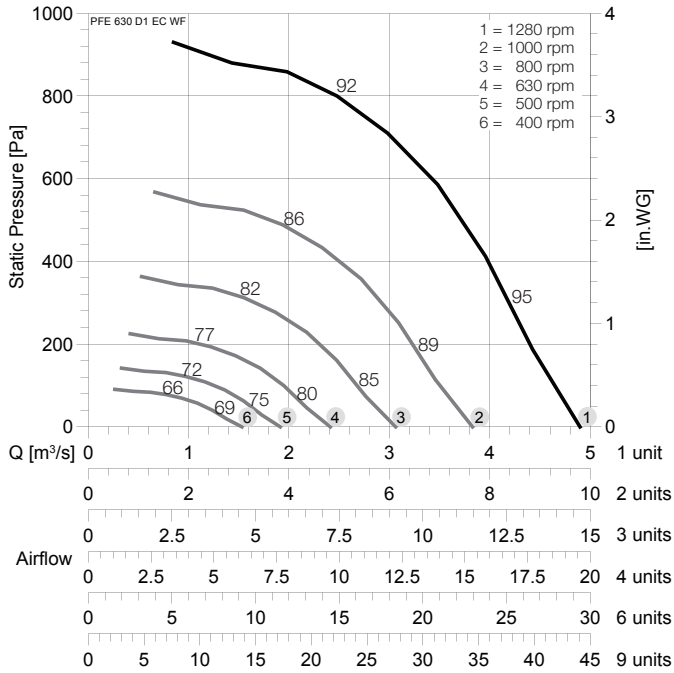


1 unit	Voltage	Frequency	Power	Current	Speed
	[V]	[Hz]	[kW]	[A]	[1/min]
	400	50/60	6,7	10,8	1940

Note: The data on the above fan curves show the A-weighted sound power level for one fan unit at the outlet side, unducted.

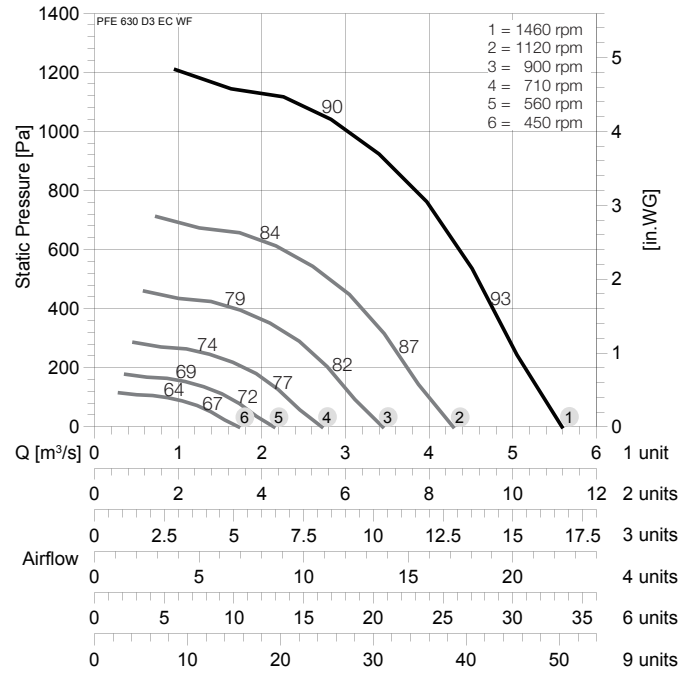


PFE 630 EC D1 WF



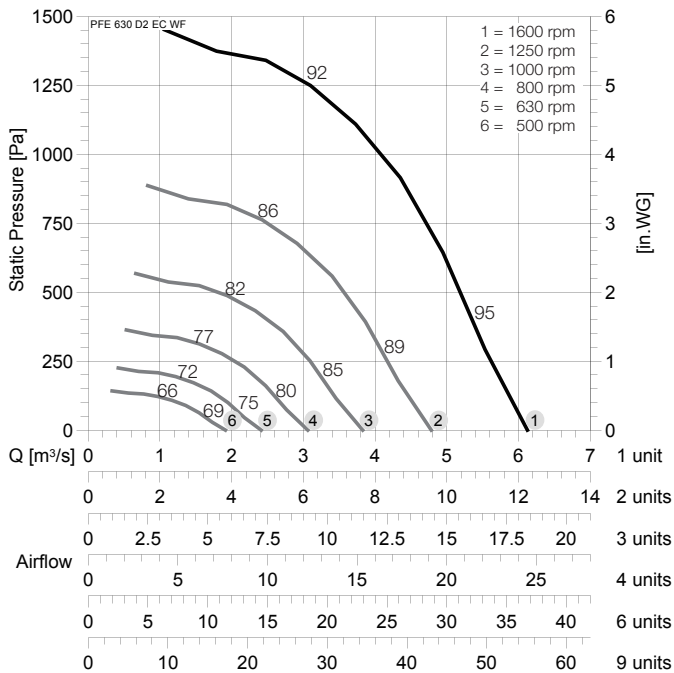
1 unit	Voltage [V]	Frequency [Hz]	Power [kW]	Current [A]	Speed [1/min]
	400	50/60	3,5	5,7	1280

PFE 630 EC D3 WF



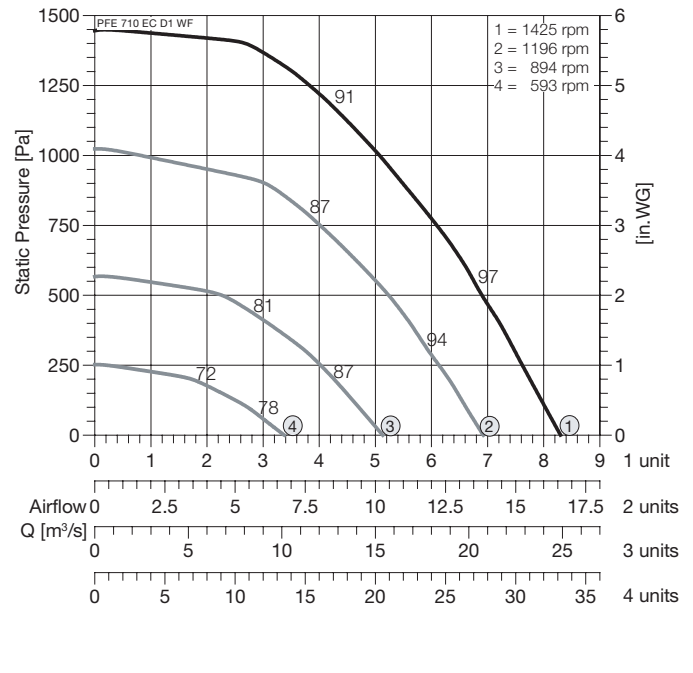
1 unit	Voltage [V]	Frequency [Hz]	Power [kW]	Current [A]	Speed [1/min]
	400	50/60	5,1	8,1	1460

PFE 630 EC D2 WF



1 unit	Voltage [V]	Frequency [Hz]	Power [kW]	Current [A]	Speed [1/min]
	400	50/60	6,7	11,5	1600

PFE 710 EC D1 WF



1 unit	Voltage [V]	Frequency [Hz]	Power [kW]	Current [A]	Speed [1/min]
	400	50/60	7,6	11,8	1425

Note: The data on the above fan curves show the A-weighted sound power level for one fan unit at the outlet side, unducted.



High Efficiency Plug Fan

PFE with EC Motor



Wall Fan (WF)

Design with a combination of high efficiency centrifugal plug fans to achieve high volume of air

WF Model Size	Acoustic Panle -	Standard Length [mm]	Width				Height			
			1C mm]	2C mm]	3C mm]	4C mm]	1R mm]	2R mm]	3R mm]	4R mm]
250	WF1	400	450	860	1270	1680	450	860	1270	1680
	WF25	400	450	860	1270	1680	450	860	1270	1680
	WF50	450	500	910	1320	1730	500	910	1320	1730
	WF75	500	550	960	1370	1780	550	960	1370	1780
280	WF1	400	550	1060	1570	2080	550	1060	1570	2080
	WF25	400	550	1060	1570	2080	550	1060	1570	2080
	WF50	450	600	1110	1620	2130	600	1110	1620	2130
	WF75	500	650	1160	1670	2180	650	1160	1670	2180
315	WF1	500	550	1060	1570	2080	550	1060	1570	2080
	WF25	500	550	1060	1570	2080	550	1060	1570	2080
	WF50	550	600	1110	1620	2130	600	1110	1620	2130
	WF75	600	650	1160	1670	2180	650	1160	1670	2180
355	WF1	500	550	1060	1570	2080	550	1060	1570	2080
	WF25	500	550	1060	1570	2080	550	1060	1570	2080
	WF50	550	600	1110	1620	2130	600	1110	1620	2130
	WF75	600	650	1160	1670	2180	650	1160	1670	2180
400	WF1	550	680	1320	1960	2600	680	1320	1960	2600
	WF25	550	680	1320	1960	2600	680	1320	1960	2600
	WF50	600	730	1370	2010	2650	730	1370	2010	2650
	WF75	650	780	1420	2060	2700	780	1420	2060	2700
450	WF1	700	680	1320	1960	-	680	1320	1960	-
	WF25	700	680	1320	1960	-	680	1320	1960	-
	WF50	750	730	1370	2010	-	730	1370	2010	-
	WF75	800	780	1420	2060	-	780	1420	2060	-
500	WF1	700	850	1660	2470	-	850	1660	2470	-
	WF25	700	850	1660	2470	-	850	1660	2470	-
	WF50	750	900	1710	2520	-	900	1710	2520	-
	WF75	800	950	1760	2570	-	950	1760	2570	-
560	WF1	800	850	1660	2470	-	850	1660	2470	-
	WF25	800	850	1660	2470	-	850	1660	2470	-
	WF50	850	900	1710	2520	-	900	1710	2520	-
	WF75	900	950	1760	2570	-	950	1760	2570	-
630	WF1	800	1020	2000	2980	-	1020	2000	2980	-
	WF25	800	1020	2000	2980	-	1020	2000	2980	-
	WF50	850	1070	2050	3030	-	1070	2050	3030	-
	WF75	900	1120	2100	3080	-	1120	2100	3080	-
710	WF1	900	1150	2280	3410	-	1150	2280	3410	-
	WF25	900	1150	2280	3410	-	1150	2280	3410	-
	WF50	950	1200	2330	3460	-	1200	2330	3460	-
	WF75	1000	1250	2380	3510	-	1250	2380	3510	-

- Note: 1. WF 1 = Single skin, WF 25 = 25 mm acoustic, WF 50 = 50 mm Acoustic and WF 75 = 75 mm acoustic.
 2. All units connecting wiring w/o T-box in loose, c/w 45 mm dia view ports as standard
 3. Inlet Wire guard, Damper Adaptor Ring, Flexible Connectors, Dummy Plates, Central Terminal Connection as optional
 4. All Removable Panel as Optional. Optional available only at RP-L as single Removable Panel on LEFT or RP-R/L as double panel on both side.
 5. All Removable Panel, View port , Dummy plate at Right or Left position are view from Drive Side
 6. We reserve the right to alter drawings / measurements without notice in case of technical improvements.

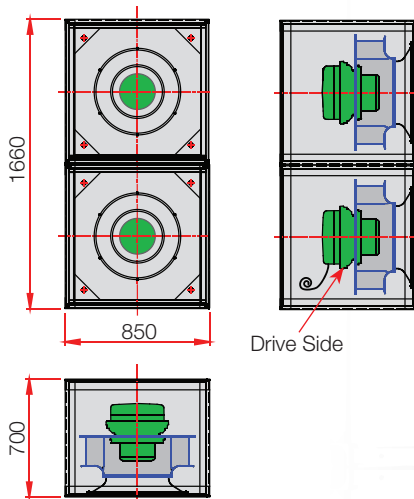


Fig.1 PFE 500 WF25 EC 1C/2R, TR

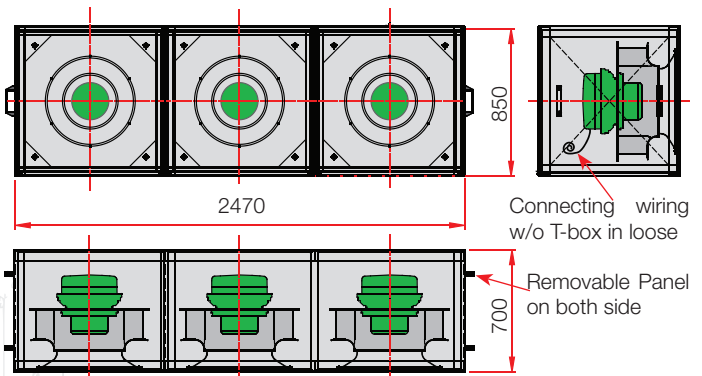


Fig.2 PFE 500 WF1 EC 3C/1R, RP-L/R, TL

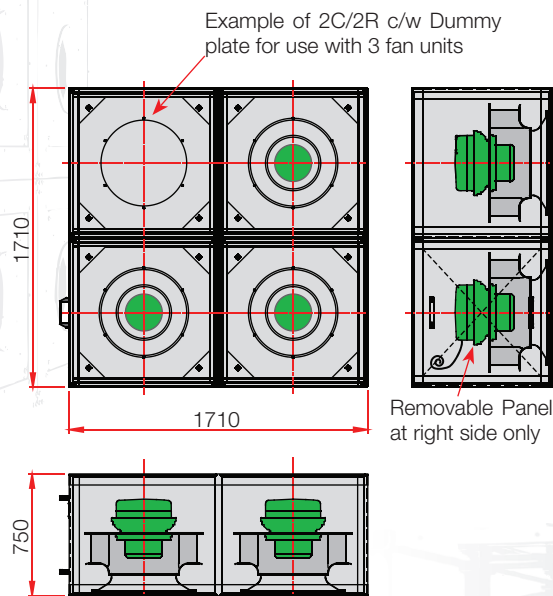


Fig.3 PFE 500 WF50 EC 2C/2R, RP-R, TR

Fig.1: ie. Model PFE 500 with 25 mm acoustic cabinet of standard, 700 length x 850 Width x 1660 Height. EC motor, Connecting wiring as loose. c/w View ports as Standard.

Fig.2: ie Model PFE 500 of Single Skin cabinet with optional double Removable Panel of 700 length x 2470 Width x 850 Height. EC motor. c/w View ports as Standard.

** RP-R/L = Double Removable Panel as Optional with choice at both Right & Left side

Fig.3: ie Model PFE 500 with 50 mm acoustic cabinet, 750 length x 1710 Width x 1710 Height. EC motor, Unit with 3 fan units type. Connecting wiring as loose. c/w View ports as Standard.** RP-R = Single Removable Panel as Optional on requested on the RIGHT side

All combination units can be available to install Dummy plate as optional for 3, 5 or 7 etc fan units requirement.



Acoustic data

Sound power levels

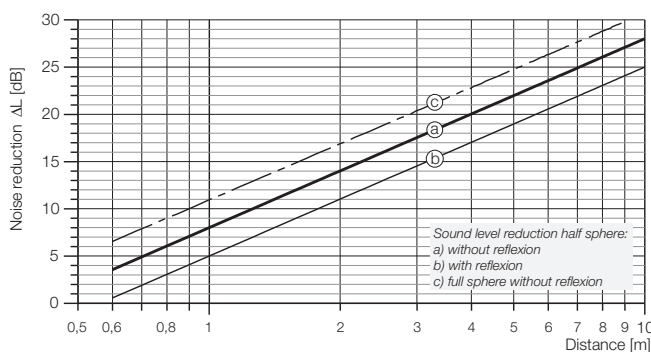
This term refers to the power which a source radiates as sound. Sound power levels are expressed in decibels with a reference level of 1 piconWatt. The sound power level of a source remains the same regardless of its environment and the distance to the listener.

If the sound power frequency spectrum is needed, for as follows: example, the design of sound attenuators, the A- rated sound power levels at particular octave band frequency LWA can be calculated by subtracting the relative sound Lwrel.

$$L_{WA} = L_{wi} + L_{wrel}$$

Sound pressure level

These are pressure fluctuations generated by a source expressed in decibels with a reference level of 20 µPa. The sound pressure level varies with the distance of a sound source to the listener and its environment.



Frequencies

Sound is split into different frequencies. Frequencies of human hearing range from about 20 cycles per second (Hz) to 20.000 cycles per second (Hz). For practical purposes, WOLTER publishes noise data in eight octave bands with the centre frequencies of (63,) 125, 250, 500, 1000, 2000, 4000 and 8000 Hz.

Each fan has its own specific correction factor which is to be deducted from sound power according to the octave band and is shown on the bottom line of each performance curve.

A-weighted sound pressure level in dB (A)

The human ear is more sensitive to sound in some frequencies than in others. The A-weighting is an attempt to reflect this natural perception of sound. The A-weighting is a set of figures which are applied to the sound pressure levels. The levels in each of the octave bands are added logarithmically to give a single figure. The A-weighting over the octave band is as follows:

Frequency [Hz]	63	125	250	500	1000	2000	4000	8000
A-weighting [dB]	-26,2	-16,1	-8,6	-3,2	0	+1,2	+1,0	-1,1

Table 1

Difference between two sound levels [dB]	Add to the higher level [dB]
0 - 1	3
2 - 3	2
4 - 9	1
≥10	0

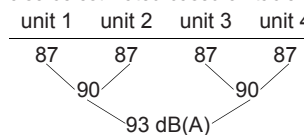
Table 2

Summation of several congeneric sound levels

$$L_{\Sigma} = L_1 + 10 \cdot \lg(z)$$

where:
z = number of sources
L1 = sound level of a single source
LΣ = resulting summation sound level

can also be estimated based on table 2 as per below:



..... number of sound source
..... sound power level of each unit
..... logarithmic addition of sound levels

Relative Sound Power Frequency Spectrum (L_{wrel}) in ΔdB

Fan Model	63	125	250	500	1000	2000	4000	8000
Size	[Hz]	[Hz]	[Hz]	[Hz]	[Hz]	[Hz]	[Hz]	[Hz]
PFE 250	-1.5	-17.6	-11.6	-12.5	-12.6	-14.5	-13.7	-18.0
PFE 280	-1.5	-17.6	-11.6	-12.5	-12.6	-14.5	-13.7	-18.0
PFE 315	-1.5	-17.6	-11.6	-12.5	-12.6	-14.5	-13.7	-18.0
PFE 355	-8.2	-11.3	-5.3	-8.4	-8.3	-12.1	-11.8	-12.6
PFE 400	-8.2	-11.3	-5.3	-8.4	-8.3	-12.1	-11.8	-12.6
PFE 450	-8.2	-11.3	-5.3	-8.4	-8.3	-12.1	-11.8	-12.6
PFE 500	-8.2	-11.3	-5.3	-8.4	-8.3	-12.1	-11.8	-12.6
PFE 560	-12.7	-3.9	-8.5	-9.3	-8.5	-11.5	-13.0	-19.0
PFE 630	-12.7	-3.9	-8.5	-9.3	-8.5	-11.5	-13.0	-19.0
PFE 710	-12.7	-3.9	-8.5	-9.3	-8.5	-11.5	-13.0	-19.0

Note: The relative sound power frequency spectrum above are only used for the estimated calculation for the 8 bands sound level of fan unit. please need more accuracy sound data, please contact Wolter staff at your local sale & support service.

Sales Network

Deutschland

Wolter GmbH.
Maschinen-und Apparatebau KG.
DE-76316 Malsch
T +49 (0) 72 04 / 92 01 0
F +49 (0) 72 04 / 92 01 11
info@wolter.eu

Europe

Denmark:

L.ØLAND VENTILATION A/S
DK-2605 Brøndby
T +45 (0) 70 / 20 19 11
salg@airforce.dk

Netherlands:

DE WIT Ventilatoren BV
NL-3821 CG Amersfoort
T +31 (0) 33 / 76 00 240
info@dewitventilatoren.nl

Sweden:

Nordisk Ventilator AB
SE-142 50 Skogås
T +46 (0) 8 / 72 70 250
se@nordiskventilator.se

Switzerland:

Anson AG Zürich
CH-8055 Zürich
T +41 (0) 44 / 46 11 111
F +41 (0) 44 / 46 13 111
info@anson.ch

OZ Tech SA

CH-1122 Romanel-sur-Morges
T +41 (0) 76 / 41 11 572
info@oztech.ch

United Kingdom:

Wolter (UK) Ltd.
GB-Leicestershire LE65 1AL
T +44 (0) 15 30 / 41 24 73
info@wolteruk.com

Middle East

UAE, Saudi Arabia, Qatar, Lebanon:

Please contact Wolter head office

Wolter GmbH.

Maschinen-und Apparatebau KG.
DE-76316 Malsch
T +49 (0) 72 04 / 92 01 0
F +49 (0) 72 04 / 92 01 11
info@wolter.eu

Asia

China:

Guangdong Wolter Chemco Ventilation Ltd.
Boluo, Huizhou, Guangdong

Dongguan Wolter Chemco Ventilation Ltd.

Shipai, Dongguan, Guangdong
T +86 (0) 769 / 8655 7298
F +86 (0) 769 / 8655 7278
info@wolter.com.hk

Taizhou Wolter Ventilation Co. Ltd.

Hengjie, Luqiao District,
Taizhou, Zhejiang
T +86 (0) 576 / 26 22 666 (26 52 888)
F +86 (0) 576 / 26 56 830

China - Hong Kong, Macau:

Wolter Asia Ltd
Kowloon, Hong Kong
T +852 (0) 2456 0198
F +852 (0) 2456 0290
info@wolter.com.hk

China - Taiwan:

Waxlink International Co., Ltd.
8F-2 No.218 Roosevelt Rd.,
Sec.6, Taipei, Taiwan
T +886 (0) 2 / 8932 1196
F +886 (0) 2 / 8932 1197
waxlink@mail.waxlinktw.com

India:

Wolter Ventilators India Pvt. Ltd.
867 D, Block-A, Sushant Lok, Phase-I,
Gurgaon - 122009 (Haryana)
T +91 (0) 124 2577797, 4261001-3
sales@wolterindia.in

Korea:

Kaceco-Wolter
14-1, Dang-dong, Gunpo-shi,
Gyeonggi-do
T +(82) 0 31 / 4773 104
F +(82) 0 31 / 4773 132
wolter@kaceco.com
info@kaceco.com

Malaysia:

Vibrantech (M) Sdn Bhd.
47200 Petaling Jaya Selangor
T +603 (0) 7847 3500
F +603 (0) 7847 3380
sales@vibrantech-sb.com

Singapore:

Wolter Pte. Ltd.
SG-569738 Singapore
T +65 (0) 63 / 52 95 48
F +65 (0) 63 / 52 95 47
info@wolterfans.com.sg

Thailand:

Wolter Ventilation Co., Ltd.
Thamai Kratumban Samutsakorn
741 10 Thailand
T +66 (0) 84 555 2936
kongsakol@wolterfan.com

Australia

The Sydney Fan Company.
NSW 2147, Sydney, Australia
T +61 (0) 2 / 9624 4000
F +61 (0) 2 / 9624 4100
sales@thesydneyfancompany.com

Wolter GmbH Maschinen-und Apparatebau KG

Am Wasen 11
DE-76316 Malsch / Germany
T +49 (0) 72 04 / 92 01 0
F +49 (0) 72 04 / 92 01 11
www.wolter.eu
info@wolter.eu

